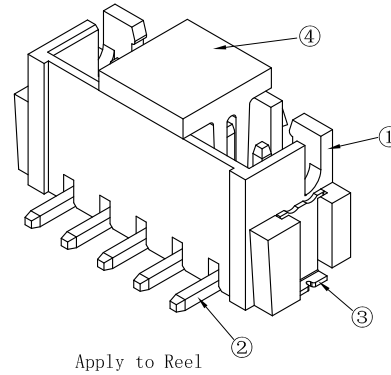
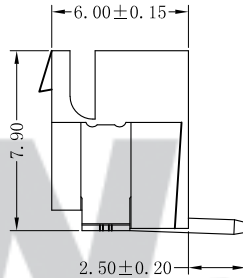
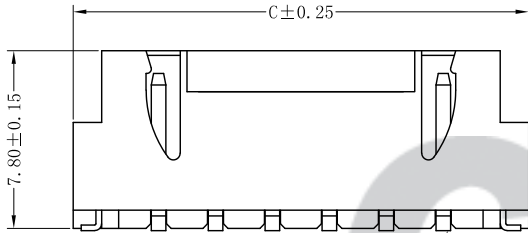
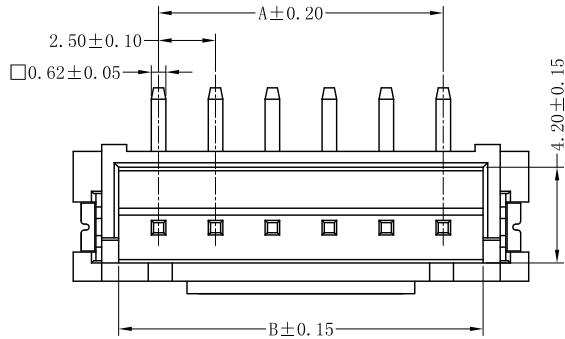
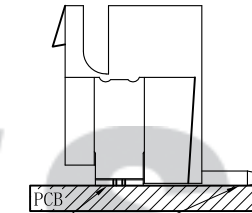


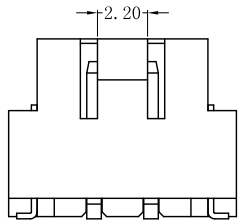
RoHS Compliant



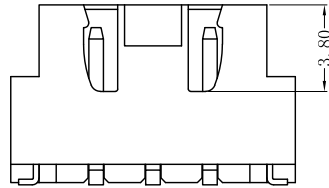
Apply to Reel



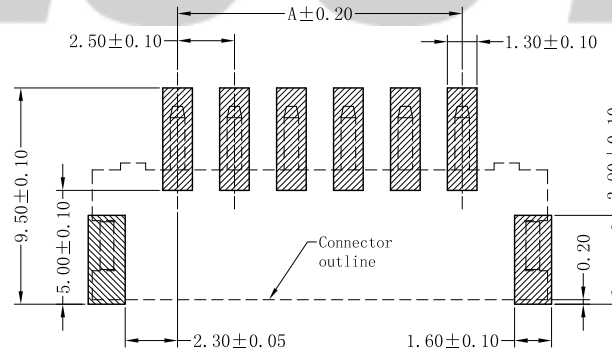
产品平贴后PIN针、固定PIN  
与焊接面间隙不大于0.1mm



2P



3P~5P



SUGGESTED PCB LAYOUT  
(COMPONENT SIDE)

SPECIFICATION

- 1 Contact resistance:  $\leq 20m\Omega$
- 2 Insulation resistance:  $\geq 1000M\Omega$
- 3 Rated voltage: 250 V AC DC
- 4 Rated current: 3.0 A AC DC
- 5 Withstand Voltage: 1000V AC/minute
- 6 Temperature Range:  $-40^{\circ}C \sim +125^{\circ}C$

ORDER INFORMATION:

|                             |  |  |              |
|-----------------------------|--|--|--------------|
| <b>A2502AWV-**-F2MA-R-X</b> |  |  |              |
| PART No.                    |  |  | X=Cap        |
| No. OF CIRCUITS:            |  |  | PACKAGING:   |
| 02~15                       |  |  | R=Reel       |
| PLASTIC MATERIAL:           |  |  | PLATING:     |
| F2M=LCP (Nature)            |  |  | A=Tin-plated |

| Circuits | Dimensions |       |       |
|----------|------------|-------|-------|
|          | A          | B     | C     |
| 02       | 2.50       | 6.00  | 10.00 |
| 03       | 5.00       | 8.50  | 12.50 |
| 04       | 7.50       | 11.00 | 15.00 |
| 05       | 10.00      | 13.50 | 17.50 |
| 06       | 12.50      | 16.00 | 20.00 |
| 07       | 15.00      | 18.50 | 22.50 |
| 08       | 17.50      | 21.00 | 25.00 |
| 09       | 20.00      | 23.50 | 27.50 |
| 10       | 22.50      | 26.00 | 30.00 |
| 11       | 25.00      | 28.50 | 32.50 |
| 12       | 27.50      | 31.00 | 35.00 |
| 13       | 30.00      | 33.50 | 37.50 |
| 14       | 32.50      | 36.00 | 40.00 |
| 15       | 35.00      | 38.50 | 42.50 |

注: 建议客户优先选择我司公母端产品配套使用, 若在没有使用我司公母端配套产品情况下, 出现因产品不匹配的质量问题, 我司将不承担任何风险及责任。

专利产品

|      |            |                   |       |     |             |      |               |               |  |  |                                 |
|------|------------|-------------------|-------|-----|-------------|------|---------------|---------------|--|--|---------------------------------|
|      |            |                   |       | ④   | Cap         | 1    | LCP (UL94V-0) | Nature        | Tolerance<br>X.X ±0.30<br>X.XX ±0.20<br>X.XXX ±0.10<br>Angle ±3.0° | <b>CNJST</b> 捷仕泰企业                           | Drawn: 王程伟 2022.07.30           |
| C/0  | 2022.07.30 | 更新模板              | 王程伟   | ③   | Solder Tab  | 2    | Brass         | Tin-Plated    |  |  | Model No.: A2502AWV-**-F2MA-R-X |
| B/1  | 2022.04.19 | 详见 ECR JST2022003 | 黄焱程   | ②   | Contacts    | 2~15 | Brass         | Tin-Plated    |  | Model Name: 2.50mm pitch 180° WAFER-SMT TYPE | Approved: 林旭芝                   |
| B/0  | 2020.01.11 | NEW RELEASE       |       | ①   | Insulator   | 1    | LCP (UL94V-0) | Nature        |  | UNIT: mm                                     | SCALE: FULL REVISION: C/0       |
| REV. | DATE       | DESCRIPTION       | APPD. | NO. | DESCRIPTION | QTY  | MATERIAL      | PLATING/COLOR |  |  | DWG NO. CNJST/GCCP-0362         |