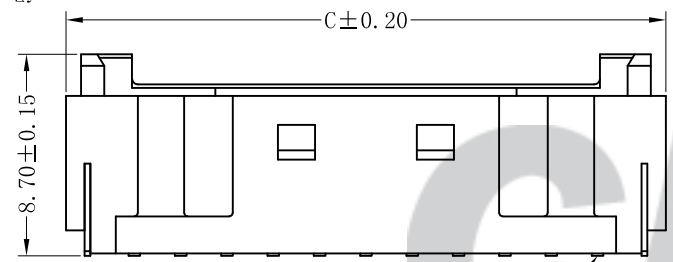
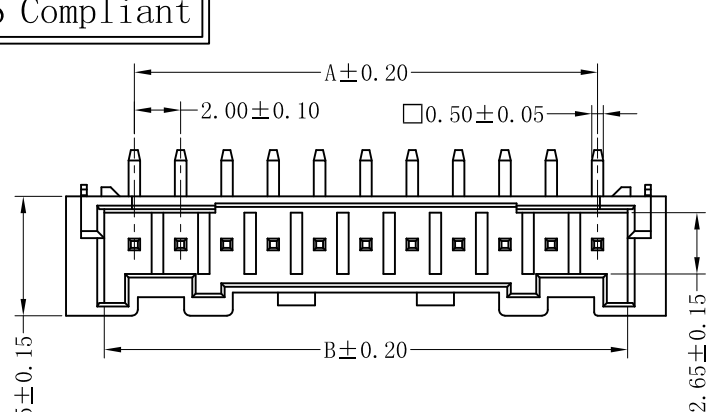
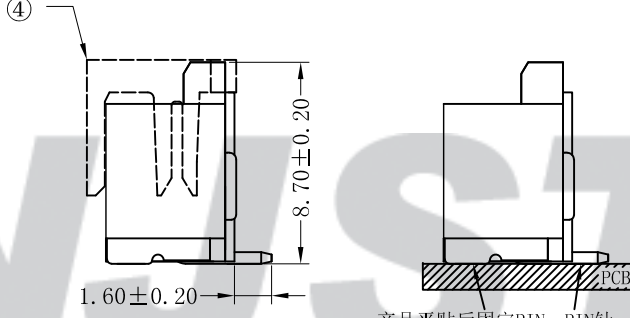
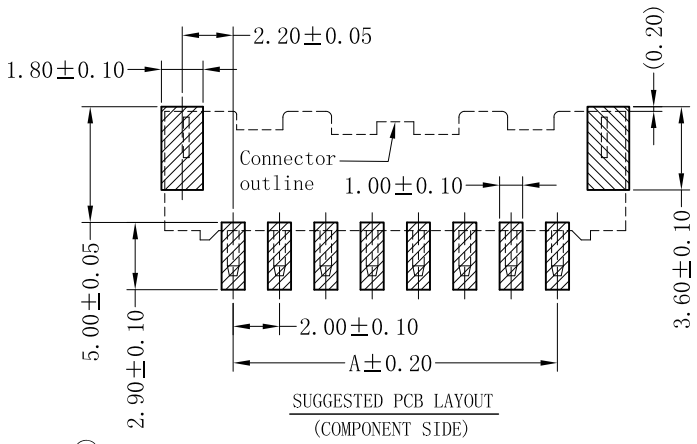
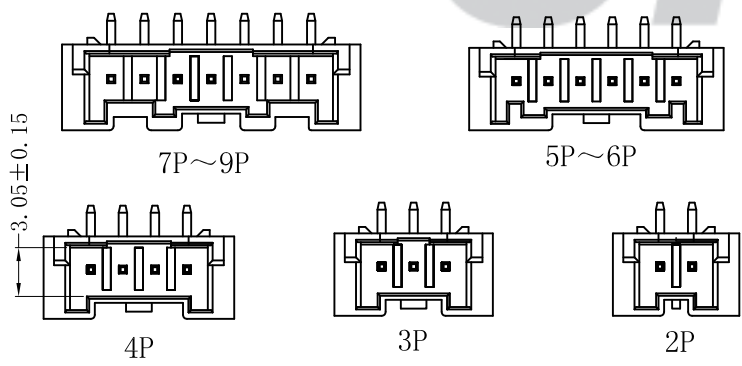


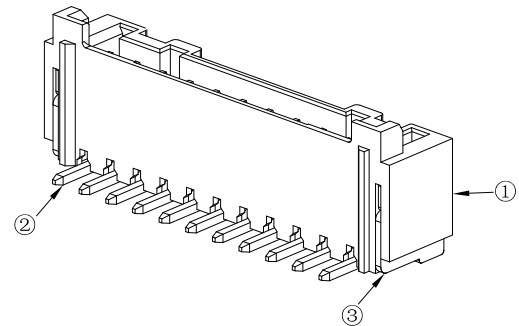
RoHS Compliant



Circuit 1



产品平贴后固定PIN、PIN针与焊接面间隙不大于0.1mm



SPECIFICATION

- 1 Contact resistance: $\leq 10m\Omega$
- 2 Insulation resistance: $\geq 1000M\Omega$
- 3 Rated voltage: 250 V AC DC
- 4 Rated current: 3.0 A AC DC
- 5 Withstand Voltage: 800V AC/minute
- 6 Temperature Range: $-40^{\circ}C \sim +125^{\circ}C$

ORDER INFORMATION:

A2006AWV--D1MA-R-X**

PART No. _____

No. OF CIRCUITS: _____ PACKAGING: R=Reel

02~15 _____ PLATING: _____

PLASTIC MATERIAL: _____ PLATING: A=Tin-plated

D1M=PA9T _____

Circuits	Dimensions (mm)		
	A	B	C
02	2.00	4.60	7.90
03	4.00	6.60	9.90
04	6.00	8.60	11.90
05	8.00	10.60	13.90
06	10.00	12.60	15.90
07	12.00	14.60	17.90
08	14.00	16.60	19.90
09	16.00	18.60	21.90
10	18.00	20.60	23.90
11	20.00	22.60	25.90
12	22.00	24.60	27.90
13	24.00	26.60	29.90
14	26.00	28.60	31.90
15	28.00	30.60	33.90

注: 建议客户优先选择我司公母端产品配套使用, 若在没有使用我司公母端配套产品情况下, 出现因产品不匹配的质量问题, 我司将不承担任何风险及责任。

专利产品

				④	Locker	1	LCP	Nature	Tolerance X.X ±0.30 X.XX ±0.20 X.XXX ±0.10 Angle ±3.0°	CNJST 捷仕泰企业	Drawn: 王程伟 2022.07.20		
				③	Solder Tab	2	Brass	Tin-plated			Model No.: A2006AWV-**-D1MA-R-X	Checked: 吴丹平	
C/0	2022.07.20	更新模板	王程伟	②	Contacts	2~15	Brass	Tin-plated			Model Name: 2.00mm PITCH 180° WAFER-SMT-TYPE	Approved: 林旭芝	
B/0	2020.01.06	NEW RELEASE		①	Insulator	1	PA9T (UL94V-0)	Nature	UNIT: mm		SCALE: FULL	REVISION: C/0	
REV.	DATE	DESCRIPTION	APPD.	NO.	DESCRIPTION	QTY	MATERIAL	PLATING/COLOR				DWG NO. CNJST/GCCP-0170	