

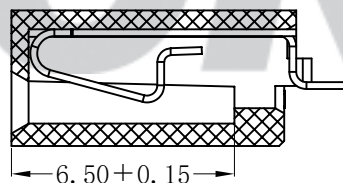
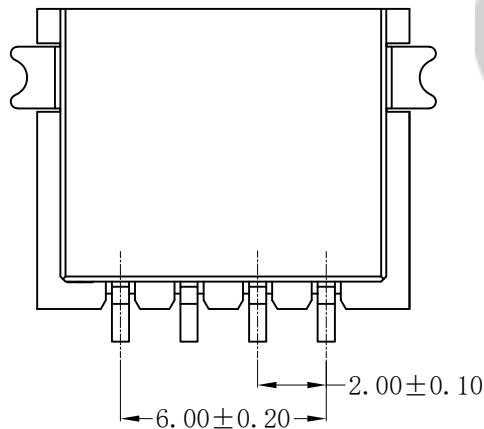
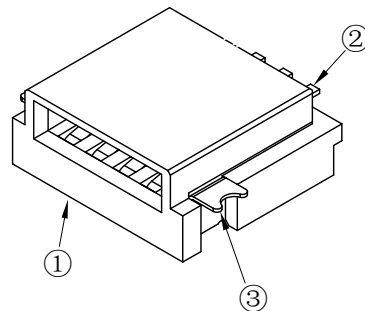
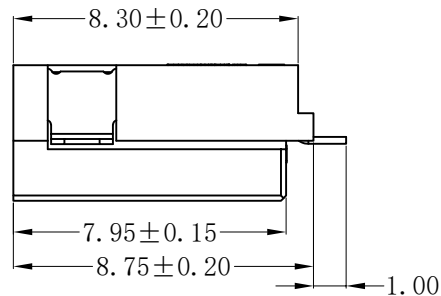
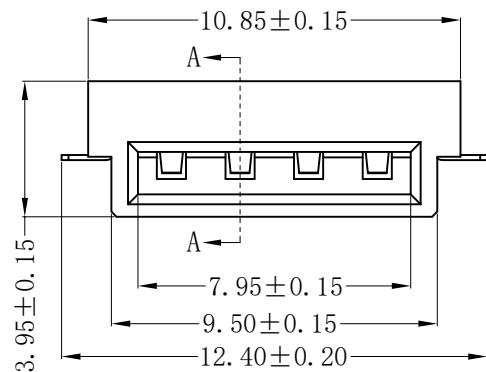
RoHS Compliant

SPECIFICATION

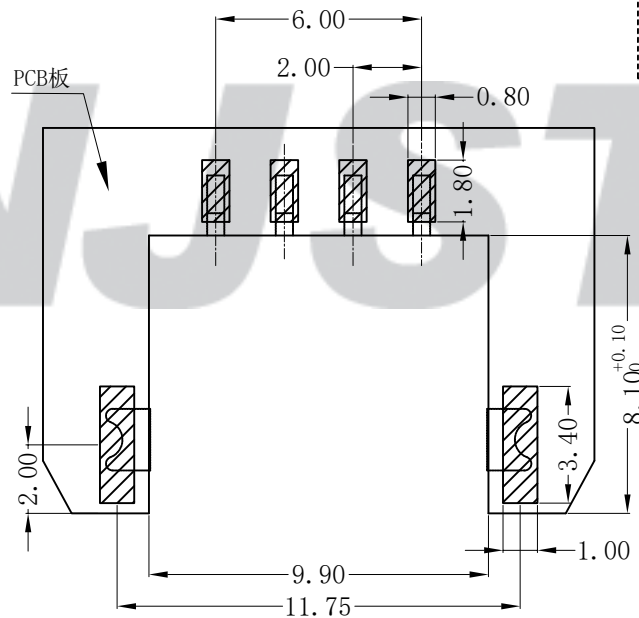
- 1 Contact resistance:  $\leq 30m\Omega$
- 2 Insulation resistance:  $\geq 1000M\Omega$
- 3 Rated voltage: 150 V AC DC
- 4 Rated current: 1.0 A AC DC
- 5 Withstand Voltage: 1400V AC/minute
- 6 Temperature Range:  $-25^{\circ}C \sim +85^{\circ}C$

ORDER INFORMATION:

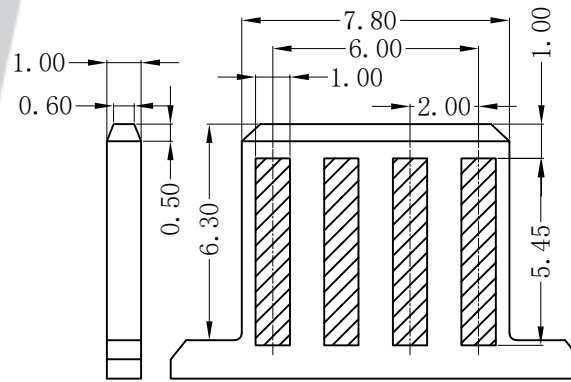
X2001AWR-04-F2MA-R			
PART No.			PACKAGING: R=REEL
No. OF CIRCUITS:			PLATING: A=Tin
04			
PLASTIC MATERIAL:			
F2M=LCP (NATURE)			



SECTION A-A



SUGGESTED PCB LAYOUT  
(COMPONENT SIDE)



SUGGESTED BOARD LAYOUT  
(COMPONENT SIDE)

专利产品

REV.	DATE	DESCRIPTION	APPD.	NO.	DESCRIPTION	QTY	MATERIAL	PLATING/COLOR
C/0	2022.11.23	统一标准, 模版更新	林旭芝	⑤				
B/0	2020.08.22	NEW RELEASE	徐广	④				
				③	Solder Tab	2	Brass	Tin-plated
				②	Contacts	2	Phosphor Bronze	Tin-plated
				①	Insulator	1	LCP (UL94V-0)	Nature

Tolerance	
X.X	$\pm 0.30$
X.XX	$\pm 0.20$
X.XXX	$\pm 0.10$
Angle	$\pm 3.0^{\circ}$
UNIT:	mm

**CNJST 捷仕泰企业**

Model No.: X2001AWR-04-F2MA-R

Model Name: 2.00mm pitch 90° WAFER-SMT TYPE

SCALE: FULL

REVISION: C/0

Drawn: 王程伟 2022.11.23
Checked: 吴丹平
Approved: 林旭芝
DWG NO. CNJST/GCCP-0521