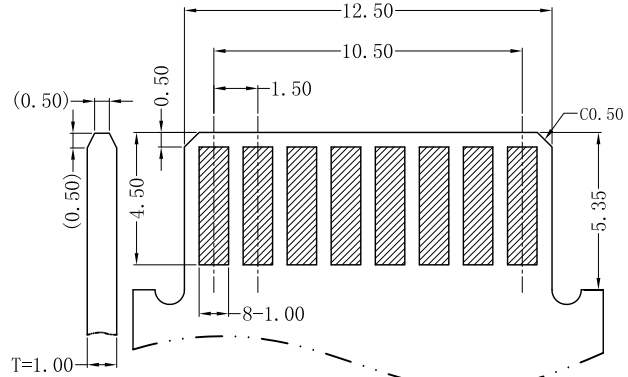
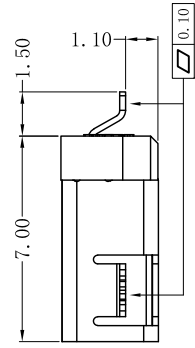
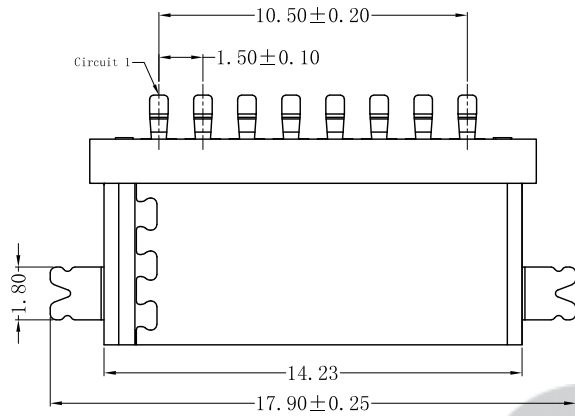


RoHS Compliant



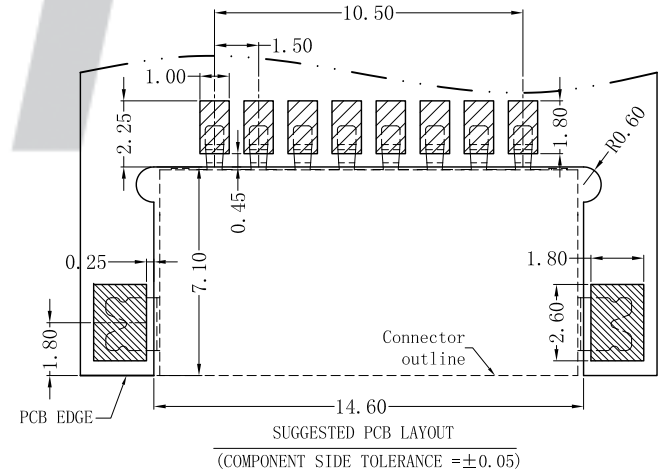
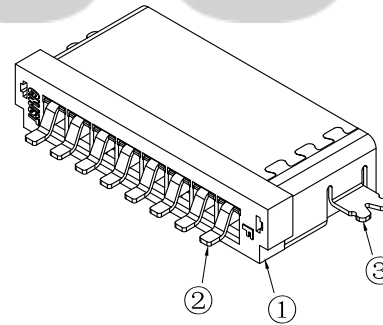
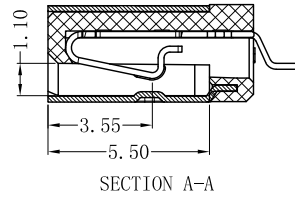
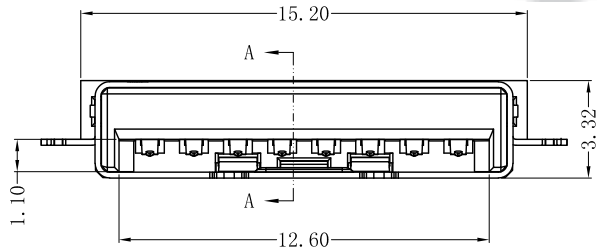
SUGGESTED BOARD LAYOUT (T=1.00mm)
(COMPONENT SIDE TOLERANCE =±0.05)

SPECIFICATION

- 1 Contact resistance: $\leq 30m\Omega$
- 2 Insulation resistance: $\geq 500M\Omega$
- 3 Rated voltage: 150 V AC DC
- 4 Rated current: 1.5 A AC DC
- 5 Withstand Voltage: 500V AC/minute
- 6 Temperature Range: $-25^{\circ}C \sim +85^{\circ}C$

ORDER INFORMATION:

X1502AWR-08-F2ME-R-D1.5			
PART No.:		PACKAGING:	R=Reel
No. OF CIRCUITS:	08	PLATING:	E=(Contacts:Matte Sn Solder Tab:Gold)
PLASTIC MATERIAL:	F2M=LCP(Nature)		



专利产品

REV.	DATE	DESCRIPTION	APPD.	NO.	DESCRIPTION	QTY	MATERIAL	PLATING/COLOR	UNIT: mm	Model No. : X1502AWR-08-F2ME-R-D1.5	Model Name: 1.50mm pitch BTB FEMALE SMT R/A TYPE	Scale: FULL	Revision: C/0
C/0	2022.08.15	统一标准, 更新模板	王程伟	③	Solder Tab	1	SUS 301	Ni+Selective gold plated	X.X ±0.30	CNJST 捷仕泰企业 Drawn: 王程伟 2022.08.15 Checked: 吴丹平 Approved: 林旭芝 DWG NO. CNJST/GCCP-0564			
B/0	2022.05.07	NEW RELEASE		②	Contacts	8	Phosphor Bronze	Matte Sn	X.XX ±0.20				
A				①	Insulator	1	LCP (UL94V-0)	Nature	X.XXX ±0.10				
									Angle ±3.0°				