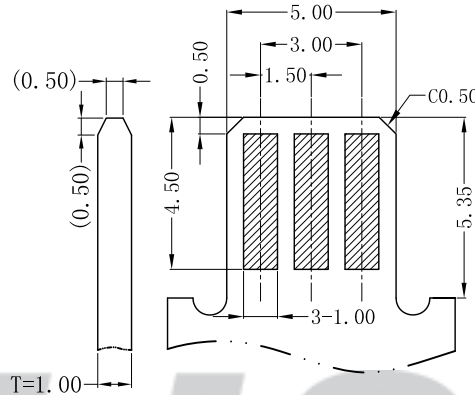
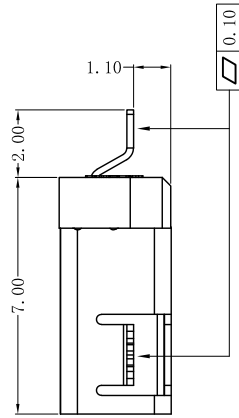
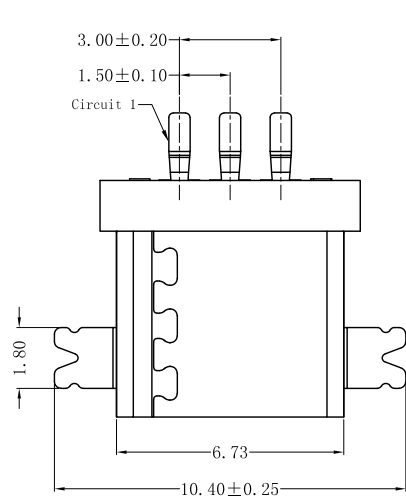
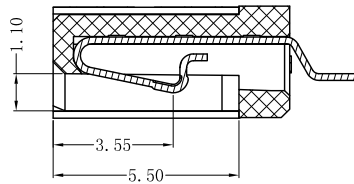
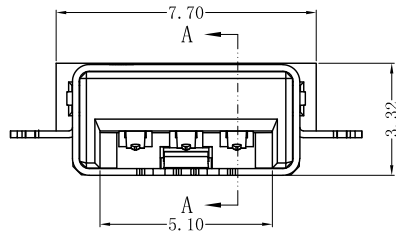


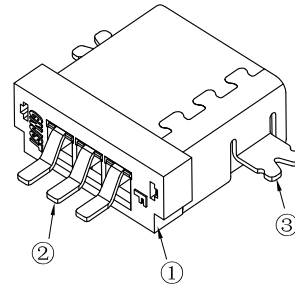
RoHS Compliant



SUGGESTED BOARD LAYOUT (T=1.00mm)
(COMPONENT SIDE TOLERANCE = ±0.05)



SECTION A-A

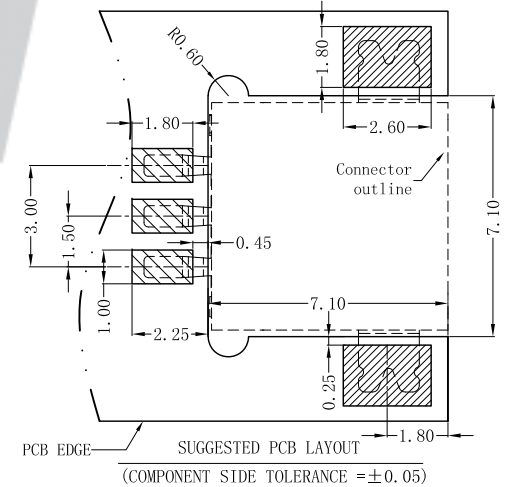


SPECIFICATION

- 1 Contact resistance: $\leq 30m\Omega$
- 2 Insulation resistance: $\geq 500M\Omega$
- 3 Rated voltage: 150 V AC DC
- 4 Rated current: 1.5 A AC DC
- 5 Withstand Voltage: 500V AC/minute
- 6 Temperature Range: $-25^{\circ}C \sim +85^{\circ}C$

ORDER INFORMATION:

X1502AWR-03-F2ME-R	
PART No.:	
No. OF CIRCUITS:	PACKAGING:
03	R=Reel
PLASTIC MATERIAL:	PLATING:
F2M=LCP (Nature)	E= (Contacts:Matte Sn Solder Tab:Gold)



SUGGESTED PCB LAYOUT
(COMPONENT SIDE TOLERANCE = ±0.05)

专利产品

REV.	DATE	DESCRIPTION	APPD.	NO.	DESCRIPTION	QTY	MATERIAL	PLATING/COLOR	UNIT: mm	Model No. : X1502AWR-03-F2ME-R	Model Name: 1.50mm pitch BTB FEMALE SMT R/A TYPE	SCALE: FULL	REVISION: C/0
C/0	2022.08.15	统一标准, 更新模板	王程伟	③	Solder Tab	1	SUS 301	Ni+Selective gold plated	Tolerance X.X ±0.30 X.XX ±0.20 X.XXX ±0.10 Angle ±3.0°	CNJST 捷仕泰企业	DWG NO. CNJST/GCCP-0564	DRAWN: 王程伟 2022.08.15	CHECKED: 吴丹平
B/0	2021.05.31	NEW RELEASE		②	Contacts	3	Phosphor Bronze	Matte Sn					
				①	Insulator	1	LCP (UL94V-0)	Nature					APPROVED: 林旭芝