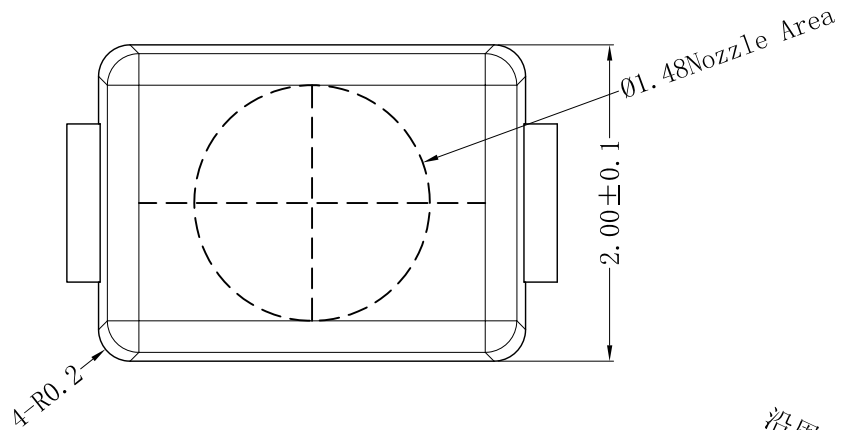
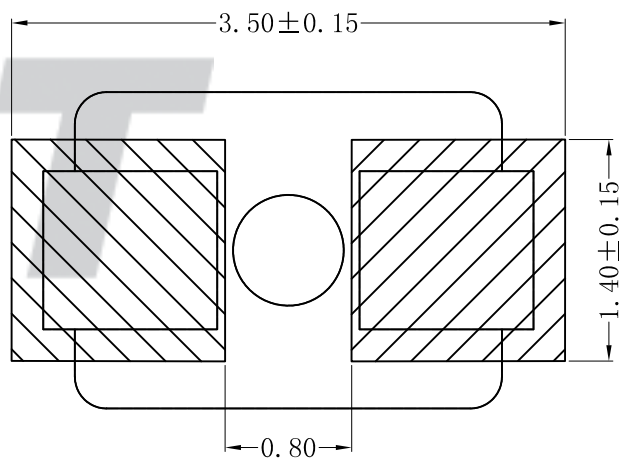
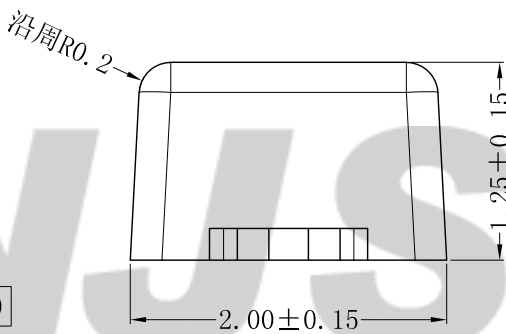
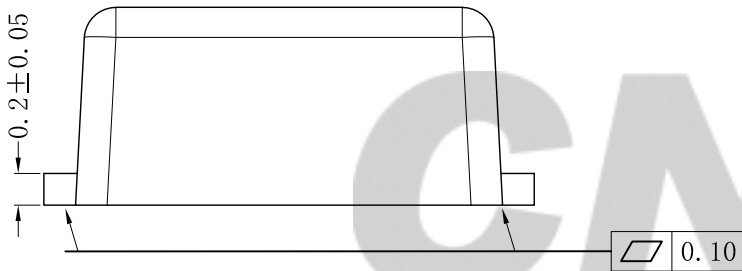
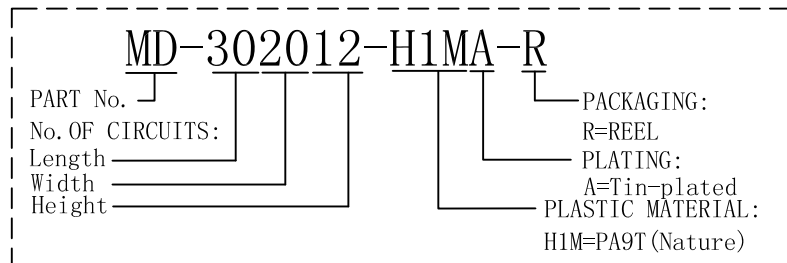


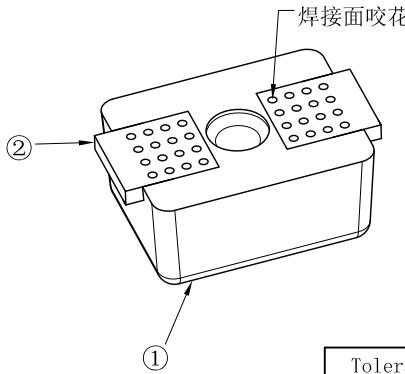
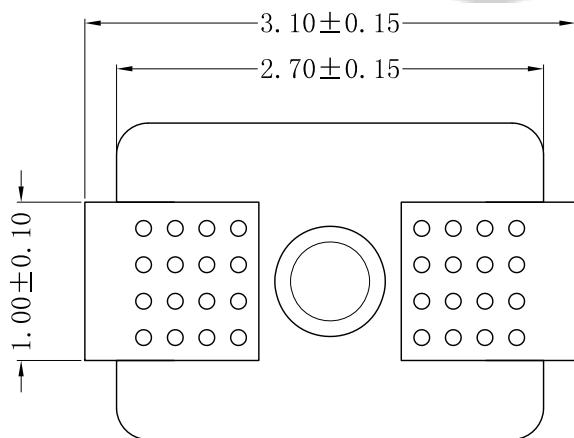
RoHS Compliant



ORDER INFORMATION:



SUGGESTED PCB LAYOUT
(COMPONENT SIDE)



专利产品

REV.	DATE	DESCRIPTION	APPD.	NO.	DESCRIPTION	QTY	MATERIAL	PLATING/COLOR
C/0	2023.01.05	更新模板	李浩然	②	Contacts	2	Phosphor Bronze	Tin-plated
B/0	2017.11.16	NEW RELEASE		①	Insulator	1	PA9T (UL94 HB)	Nature

Tolerance	X.X ±0.30
X.XX ±0.20	
X.XXX ±0.10	
Angle	±3.0°
UNIT:	mm

CNJST 捷仕泰企业		
Model No.: MD-302012-H1MA-R		Model Name: Stopper
SCALE: FULL	REVISION: C/0	

Drawn: 李浩然 2023.01.05
Checked: 吴丹平
Approved: 林旭芝
DWG NO.: CNJST/GCCP-0448