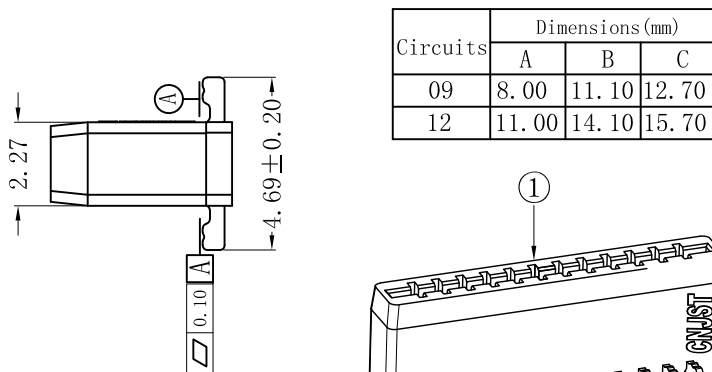
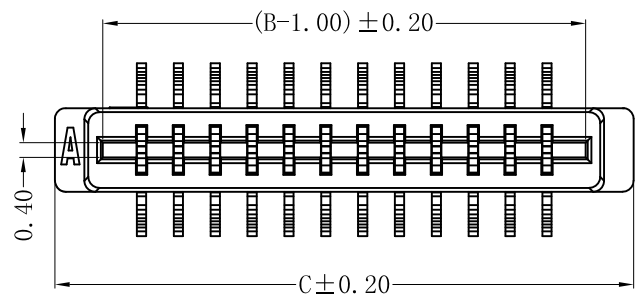


RoHS Compliant



Circuits	Dimensions (mm)		
	A	B	C
09	8.00	11.10	12.70
12	11.00	14.10	15.70

SPECIFICATION

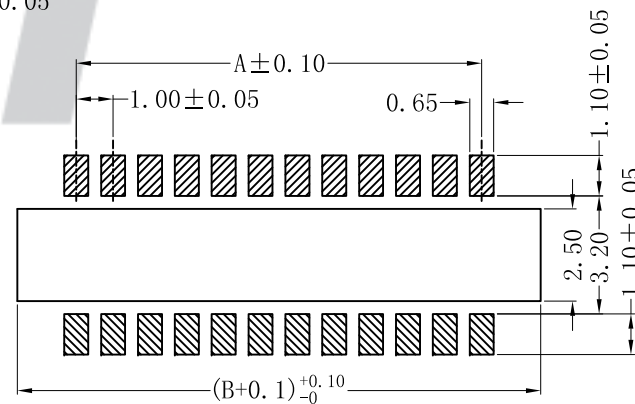
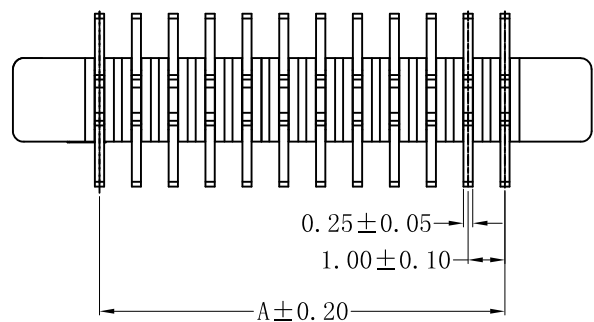
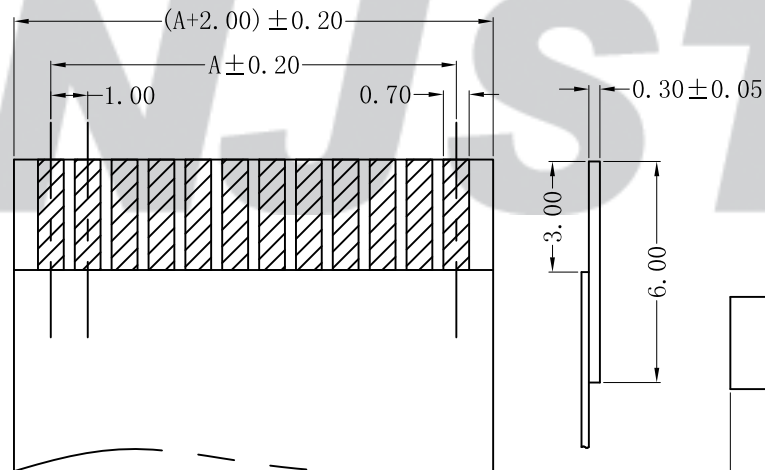
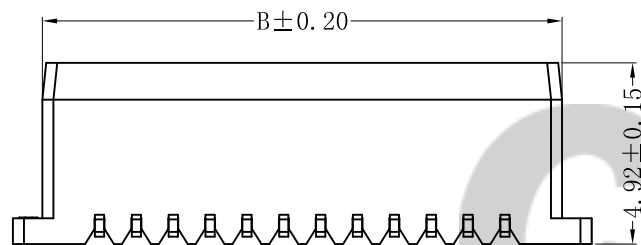
- 1 Contact resistance:  $\leq 30m\Omega$
- 2 Insulation resistance:  $\geq 500M\Omega$
- 3 Rated voltage: 50 V AC DC
- 4 Rated current: 0.5 A AC DC
- 5 Withstand Voltage: 500V AC/minute
- 6 Temperature Range:  $-25^{\circ}C \sim +85^{\circ}C$

ORDER INFORMATION:

**FA1002AWV-\*\*-F2MB-R**

PART No. \_\_\_\_\_  
 No. OF CIRCUITS: \_\_\_\_\_  
 9~12  
 PLASTIC MATERIAL: \_\_\_\_\_  
 F2M=LCP (Nature)

PACKAGING: \_\_\_\_\_  
 R=Reel  
 PLATING: \_\_\_\_\_  
 B=Matte Sn



Accommodated FFC  
(COMPONENT SIDE)

SUGGESTED PCB LAYOUT  
(COMPONENT SIDE)

专利产品

Tolerance X.X ±0.30 X.XX ±0.20 X.XXX ±0.10 Angle ±3.0°	<b>CNJST 捷仕泰企业</b>		Drawn: 李浩然 2022.12.06
	Model No.: FA1002AWV-**-F2MB-R		Checked: 吴丹平
UNIT: mm	Model Name: 1.00mm pitch 180° FFC/FPC TYPE		Approved: 林旭芝
		SCALE: FULL	REVISION: C/0
			DWG NO.: CNJST/GCCP-0503

REV.	DATE	DESCRIPTION	APPD.	NO.	DESCRIPTION	QTY	MATERIAL	PLATING/COLOR
C/O	2022.12.06	更新模板	李浩然	②	Contacts	9~12	Phosphor Bronze	Matte Sn
B/O	2020.01.14	NEW RELEASE		①	Insulator	1	LCP (UL94V-0)	Nature