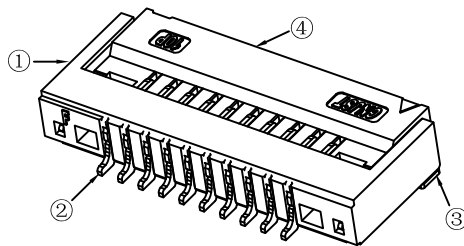
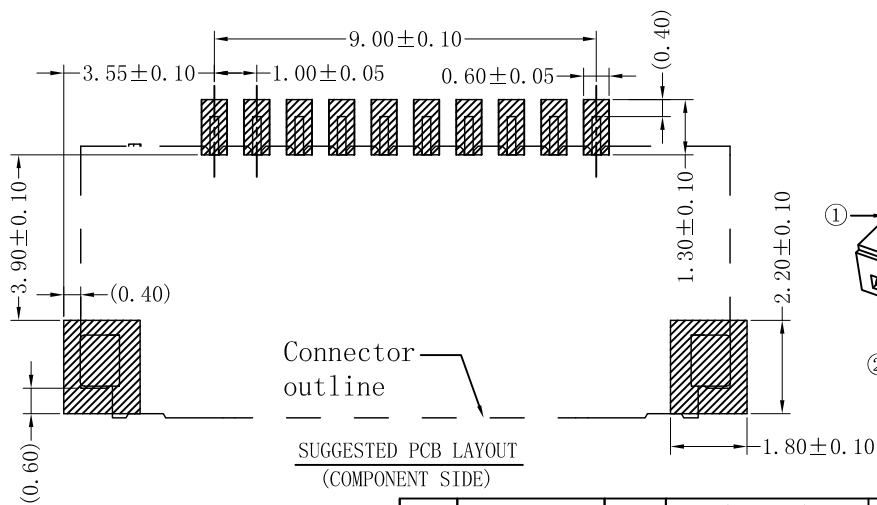
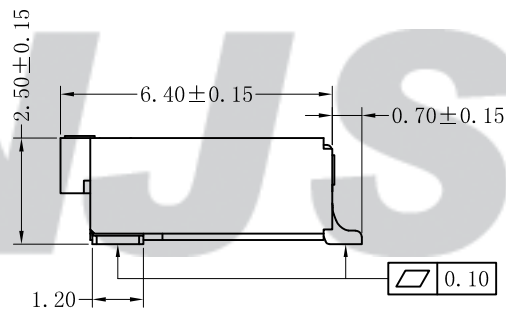
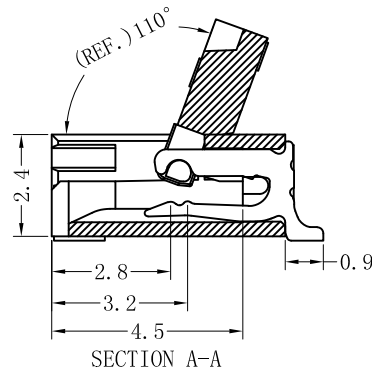
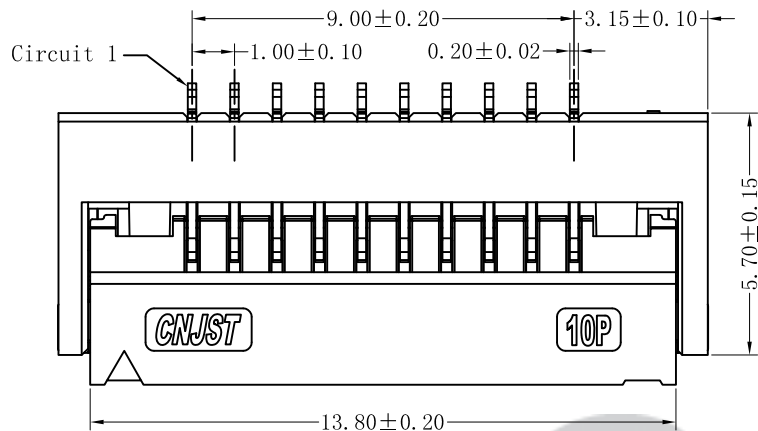


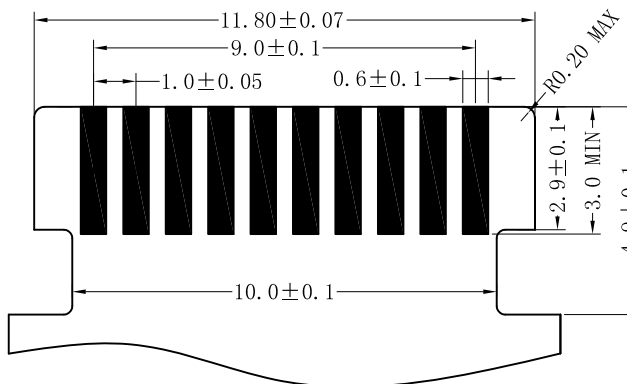
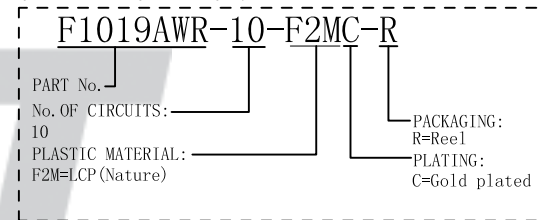
RoHS Compliant



### SPECIFICATION

- 1 Contact resistance:  $\leq 30m\Omega$
- 2 Insulation resistance:  $\geq 500M\Omega$
- 3 Rated voltage: 50 V AC DC
- 4 Rated current: 1.0 A AC DC
- 5 Withstand Voltage: 500V AC/minute
- 6 Temperature Range:  $-25^{\circ}C \sim +85^{\circ}C$

### ORDER INFORMATION:



Accommodated FFC  
(COMPONENT SIDE)

专利产品

REV.	DATE	DESCRIPTION	APPD.	NO.	DESCRIPTION	QTY	MATERIAL	PLATING/COLOR
C/O	2022.12.02	更新模板	李浩然	④	Locker	1	LCP (UL94V-0)	Black
B/O	2020.08.09	NEW RELEASE		③	Solder Tab	2	Phosphor Bronze	Matte Sn (Sn:80u~Min/Ni:20u~Min)
				②	Contacts	10	Phosphor Bronze	Gold plated (Contact Part 1u~Min/Ni:20u~Min)
				①	Insulator	1	LCP (UL94V-0)	Nature

Tolerance	X.X ±0.30
	X.XX ±0.20
	X.XXX ±0.10
Angle	±3.0°
UNIT:	mm

<b>CNJST 捷仕泰企业</b>	
Model No.: F1019AWR-10-F2MC-R	
Model Name: 1.00mm PITCH 90° SMT ZIF FFC/FFC	
	SCALE: FULL
	REVISION: C/O

Drawn: 李浩然 2022.12.02
Checked: 吴丹平
Approved: 林旭芝
DWG NO.: CNJST/GCCP-0618