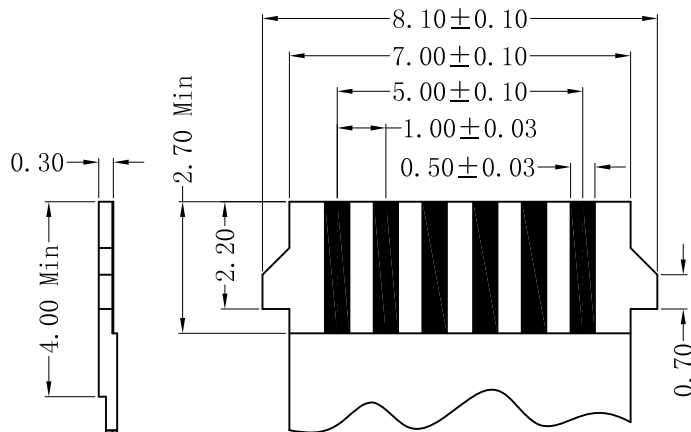
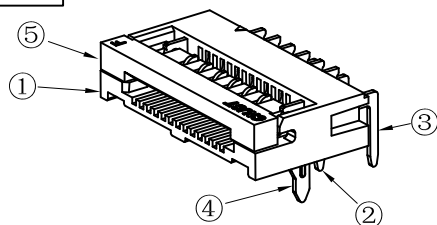
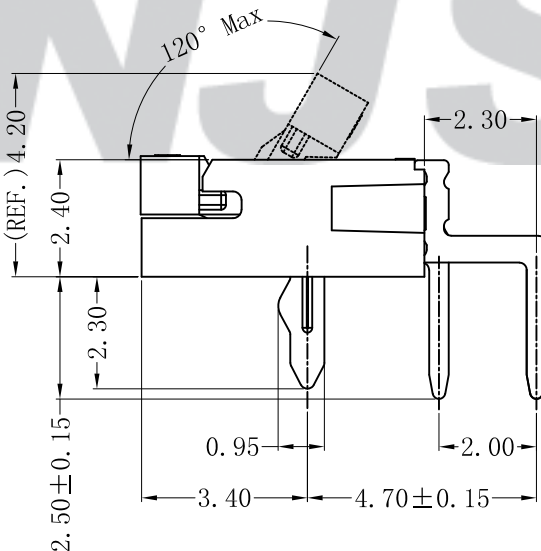


RoHS Compliant



Accommodated FFC
(COMPONENT SIDE)



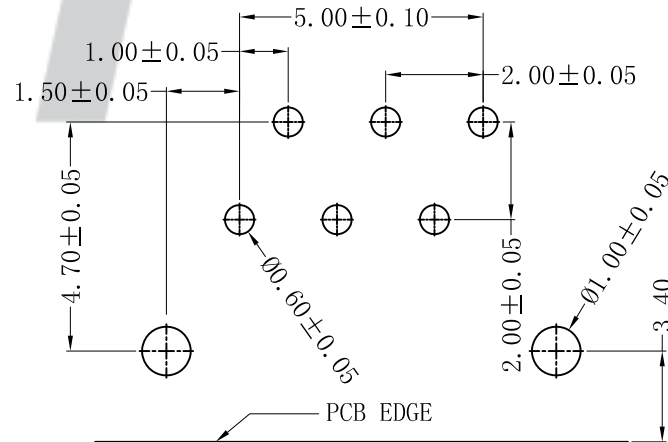
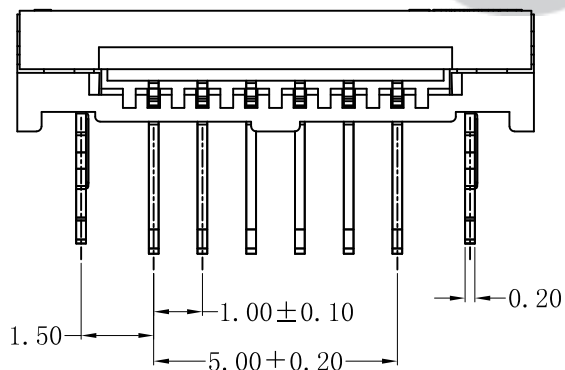
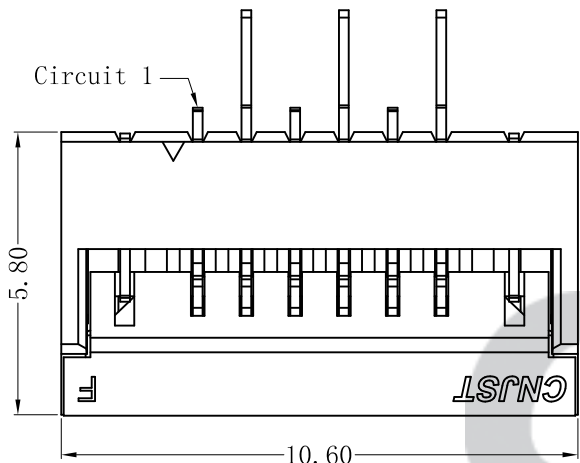
SPECIFICATION

- 1 Contact resistance: $\leq 50m\Omega$
- 2 Insulation resistance: $\geq 500M\Omega$
- 3 Rated voltage: 100 V AC DC
- 4 Rated current: 1.0 A AC DC
- 5 Withstand Voltage: 500V AC/minute
- 6 Temperature Range: $-25^{\circ}C \sim +85^{\circ}C$

ORDER INFORMATION:

F1017AWB-06-F2MC-G

Part No. F1017AWB-06-F2MC-G
 No. of Circuits: 06
 PLASTIC MATERIAL: F2M=LCP (Locker:LCP)
 PACKAGING: G=TUBE
 PLATING: C=Gold-plated



SUGGESTED PCB LAYOUT
(COMPONENT SIDE)

专利产品

⑤	Locker	1	LCP(UL94V-0)	Black	Tolerance X.X ±0.30 X.XX ±0.20 X.XXX ±0.10 Angle ±3.0°
④	Solder Tab	2	Phosphor Bronze	Matte Sn	
③	Contacts 2	3	Phosphor Bronze	Gold-plated	
②	Contacts 1	3	Phosphor Bronze	Gold-plated	
①	Insulator	1	LCP(UL94V-0)	Nature	UNIT: mm

CNJST 捷仕泰企业

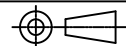
Drawn: 李浩然 2023.01.03

Model No.: F1017AWB-06-F2MC-G

Checked: 吴丹平

Model Name: 1.00mm pitch DIP FFC/FPC CONNECTORS

Approved: 林旭芝



SCALE: FULL

REVISION: C/0

DWG NO.: CNJST/GCCP-0562

C/O	2023.01.03	更新模板	李浩然
B/O	2018.06.15	NEW RELEASE	
REV.	DATE	DESCRIPTION	APPD.