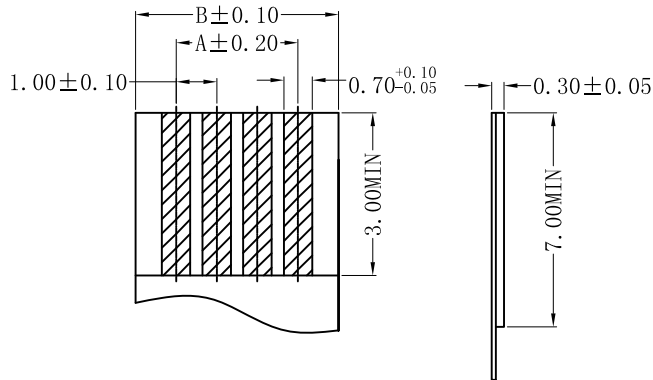
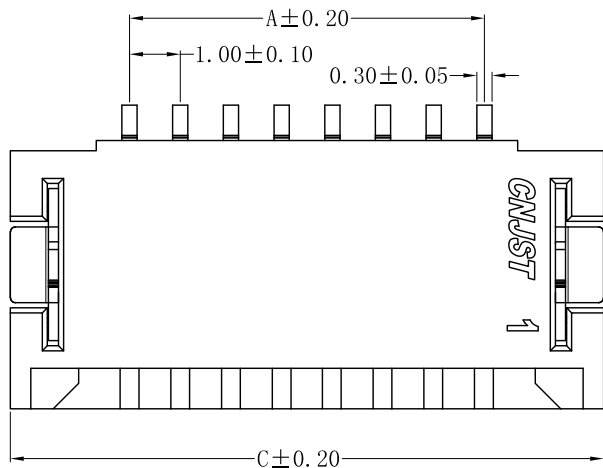
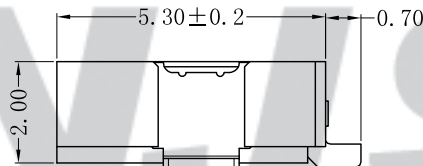
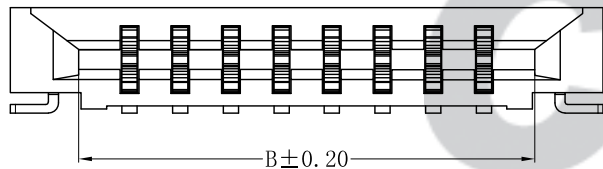


RoHS Compliant



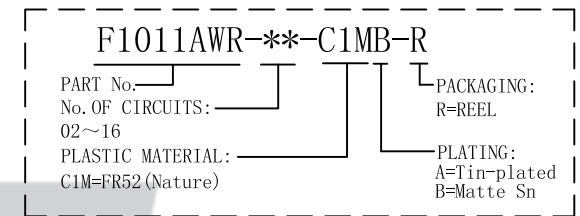
Accommodated FFC
(COMPONENT SIDE)



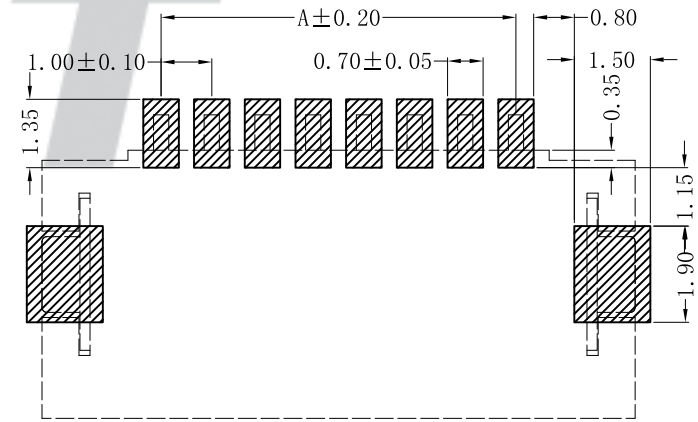
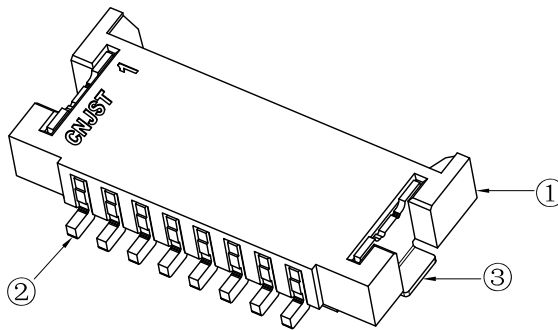
SPECIFICATION

- Contact resistance: $\leq 30m\Omega$
- Insulation resistance: $\geq 500M\Omega$
- Rated voltage: 50 V AC DC
- Rated current: 0.3 A AC DC
- Withstand Voltage: 500V AC/minute
- Temperature Range: $-25^{\circ}C \sim +85^{\circ}C$

ORDER INFORMATION:



Circuits	Dimensions (mm)		
	A	B	C
02		3.00	5.70
03	2.00	4.00	6.70
04	3.00	5.00	7.70
05	4.00	6.00	8.70
06	5.00	7.00	9.70
07	6.00	8.00	10.70
08	7.00	9.00	11.70
09	8.00	10.00	12.70
10	9.00	11.00	13.70
11	10.00	12.00	14.70
12	11.00	13.00	15.70
13	12.00	14.00	16.70
14	13.00	15.00	17.70
15	14.00	16.00	18.70
16	15.00	17.00	19.70



SUGGESTED PCB LAYOUT
(COMPONENT SIDE)

专利产品

C/0	2023.01.02	更新模板	李浩然
B/0	2021.03.31	NEW RELEASE	
REV.	DATE	DESCRIPTION	APPD.

③	Solder Tab	2	Brass	Matte Sn
②	Contacts	2~16	Phosphor Bronze	Matte Sn
①	Insulator	1	LCP(UL94V-0)	Nature
NO.	DESCRIPTION	QTY	MATERIAL	PLATING/COLOR

Tolerance	
X.X	± 0.30
X.XX	± 0.20
X.XXX	± 0.10
Angle	$\pm 3.0^{\circ}$
UNIT:	mm

CNJST 捷仕泰企业		
Model No.: F1011AWR-**-C1MB-R		
Model Name: 1.00mm pitch 90° WAFER-SMT TYPE		
	SCALE: FULL	REVISION: C/0

Drawn: 李浩然 2023.01.02
Checked: 吴丹平
Approved: 林旭芝
DWG NO.: CNJST/GCCP-0406