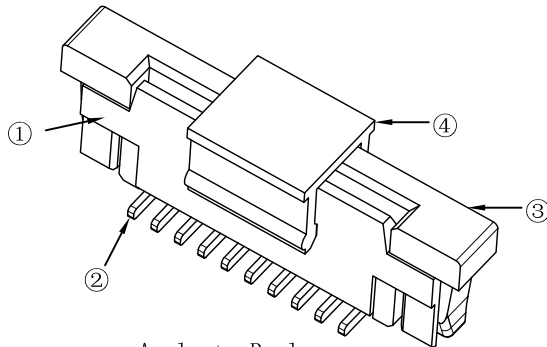
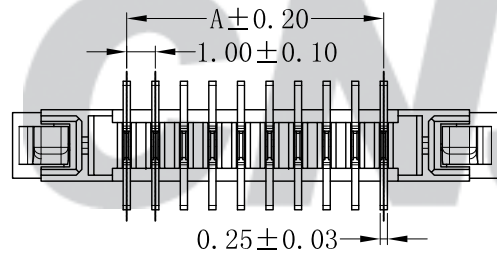
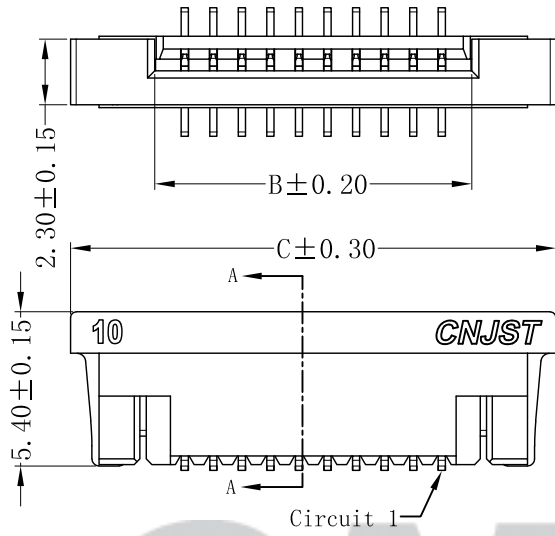


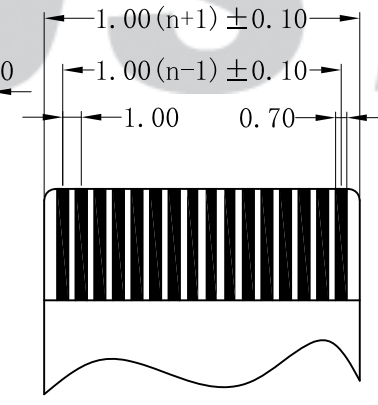
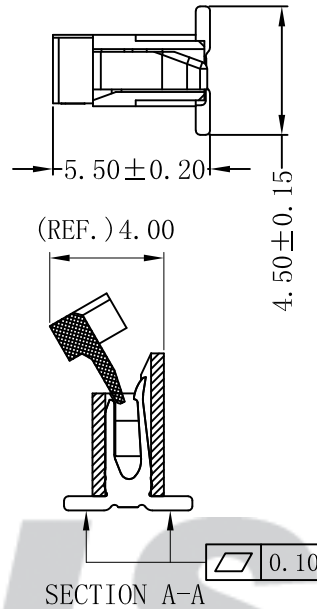
RoHS Compliant

Circuits	Dimensions (mm)		
	A	B	C
04	3.00	5.10	11.00
05	4.00	6.10	12.00
06	5.00	7.10	13.00
07	6.00	8.10	14.00
08	7.00	9.10	15.00
09	8.00	10.10	16.00
10	9.00	11.10	17.00
11	10.00	12.10	18.00
12	11.00	13.10	19.00
13	12.00	14.10	20.00
14	13.00	15.10	21.00
15	14.00	16.10	22.00
16	15.00	17.10	23.00
17	16.00	18.10	24.00
18	17.00	19.10	25.00
19	18.00	20.10	26.00
20	19.00	21.10	27.00
21	20.00	22.10	28.00
22	21.00	23.10	29.00
23	22.00	24.10	30.00
24	23.00	25.10	31.00
25	24.00	26.10	32.00
26	25.00	27.10	33.00
27	26.00	28.10	34.00
28	27.00	29.10	35.00
29	28.00	30.10	36.00
30	29.00	31.10	37.00
31	30.00	32.10	38.00
32	31.00	33.10	39.00
33	32.00	34.10	40.00
34	33.00	35.10	41.00
35	34.00	36.10	42.00
36	35.00	37.10	43.00
37	36.00	38.10	44.00
38	37.00	39.10	45.00
39	38.00	40.10	46.00
40	39.00	41.10	47.00



Apply to Reel

NO.	DESCRIPTION	QTY	MATERIAL	PLATING/COLOR
④	Cap	1	LCP (UL94V-0)	Nature
③	Locker	1	LCP (UL94V-0)	Black
②	Contacts	4~40	Phosphor Bronze	Tin-plated
①	Insulator	1	LCP (UL94V-0)	Nature

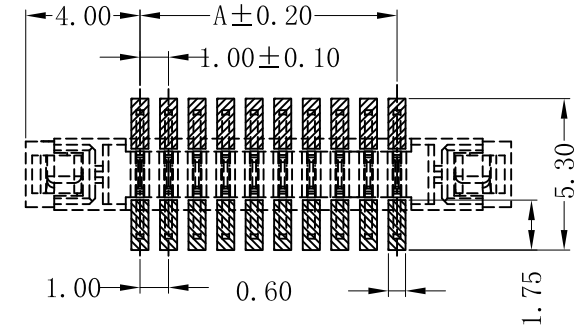
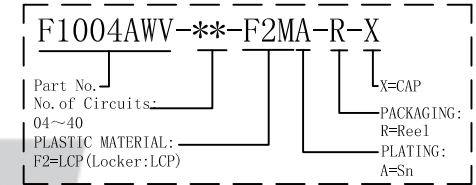


Accommodated FFC/FPC (COMPONENT SIDE)

SPECIFICATION

- Contact resistance: $\leq 50m\Omega$
- Insulation resistance: $\geq 500M\Omega$
- Rated voltage: 50 V AC DC
- Rated current: 0.5 A AC DC
- Withstand Voltage: 500V AC/minute
- Temperature Range: $-25^{\circ}C \sim +85^{\circ}C$

ORDER INFORMATION:



SUGGESTED PCB LAYOUT (COMPONENT SIDE)

专利产品

REV.	DATE	DESCRIPTION	APPD.
C/0	2022.11.03	更新模板	李浩然
B/0	2018.08.22	NEW RELEASE	

Tolerance
X.X ± 0.30
X.XX ± 0.20
X.XXX ± 0.10
Angle ± 3.0°
UNIT: mm

CNJST 捷仕泰企业

Model No.: F1004AWV-**-F2MA-R-X
Model Name: 1.00mm 180° SMT FFC/FPC Connectors
SCALE: FULL
REVISION: C/0

Drawn: 李浩然 2022.12.03
Checked: 吴丹平
Approved: 林旭芝
DWG NO.: CNJST/GCCP-0247