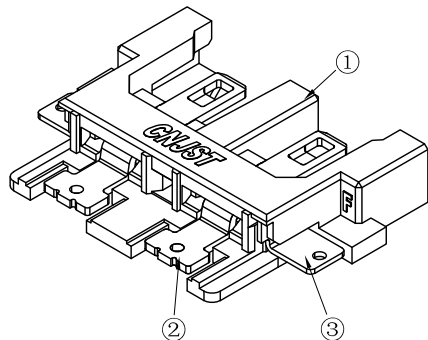
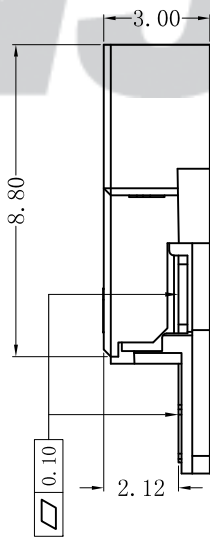
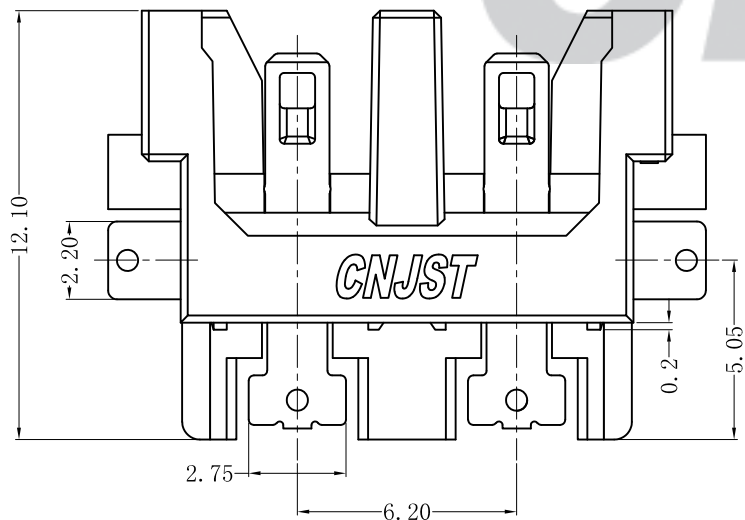
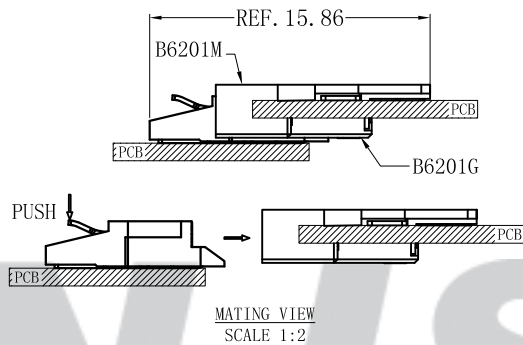
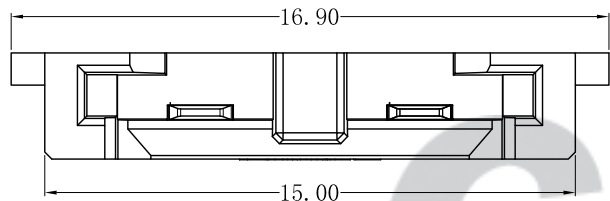
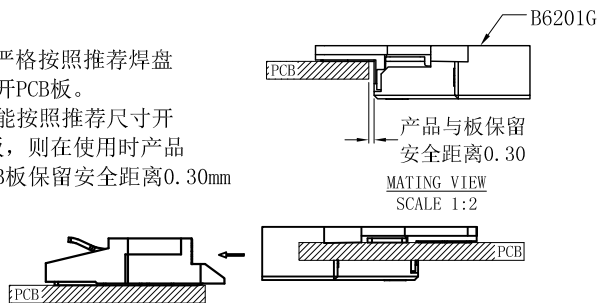


RoHS Compliant



注: 1、建议严格按照推荐焊盘尺寸开PCB板。  
2、如不能按照推荐尺寸开PCB板, 则在使用时产品与PCB板保留安全距离0.30mm

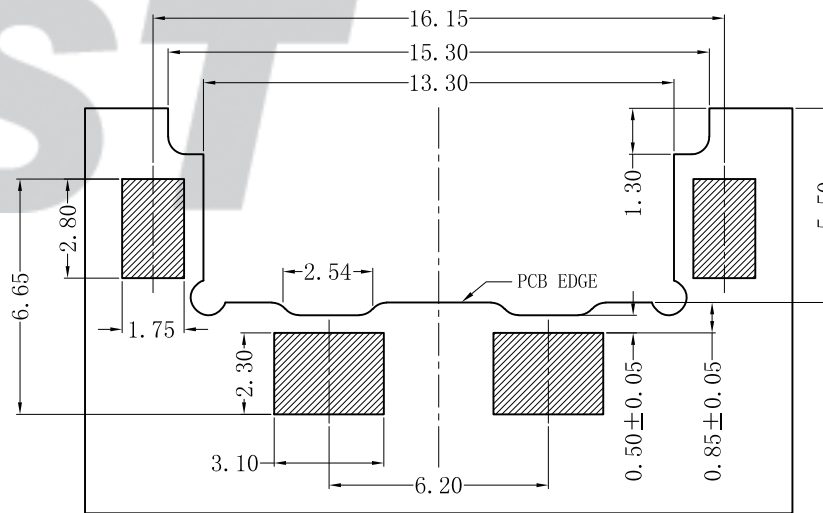


SPECIFICATION

- Contact resistance:  $\leq 30m\Omega$
- Insulation resistance:  $\geq 1000M\Omega$
- Rated voltage: 400 V AC DC
- Rated current: 2 A AC DC
- Withstand Voltage: 1800V AC/minute
- Temperature Range:  $-25^{\circ}C \sim +85^{\circ}C$

ORDER INFORMATION:

<b>B6201G-02-C2MA-R</b>			
PART No.			
No. OF CIRCUITS:		PACKAGING:	R=Reel
	02	PLATING:	A=Tin-plated
PLASTIC MATERIAL:	C2M=PA6T (Nature)		



SUGGESTED PCB LAYOUT  
(COMPONENT SIDE)

专利产品

REV.	DATE	DESCRIPTION	APPD.	NO.	DESCRIPTION	QTY	MATERIAL	PLATING/COLOR
				③	Solder Tab	2	Brass	Tin-plated
				②	Contacts	2	Phosphor Bronze	Tin-plated
				①	Insulator	1	PA6T (UL94V-0)	Nature

Tolerance	
X.X	$\pm 0.30$
X.XX	$\pm 0.20$
X.XXX	$\pm 0.10$
Angle	$\pm 3.0^{\circ}$
UNIT:	mm

<b>CNJST</b> 捷仕泰企业	
Model No.: B6201G-02-C2MA-R	
Model Name: 6.20mm pitch BTB MALE SMT	
SCALE: FULL	REVISION: C/0

Drawn: 王丽君 2022. 12. 15
Checked: 吴丹平
Approved: 林旭芝
DWG NO. CNJST/GCCP-0556