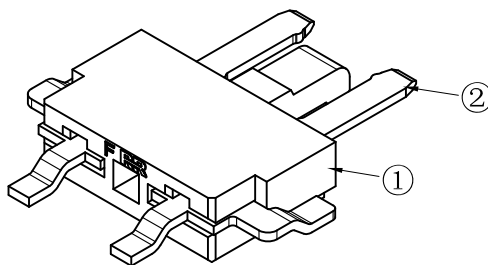
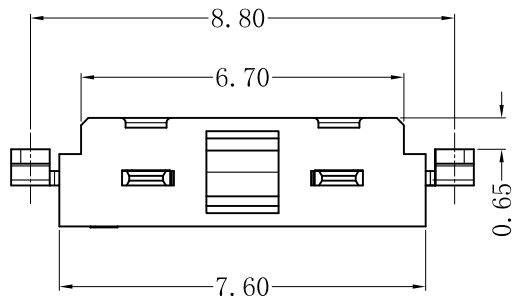


RoHS Compliant

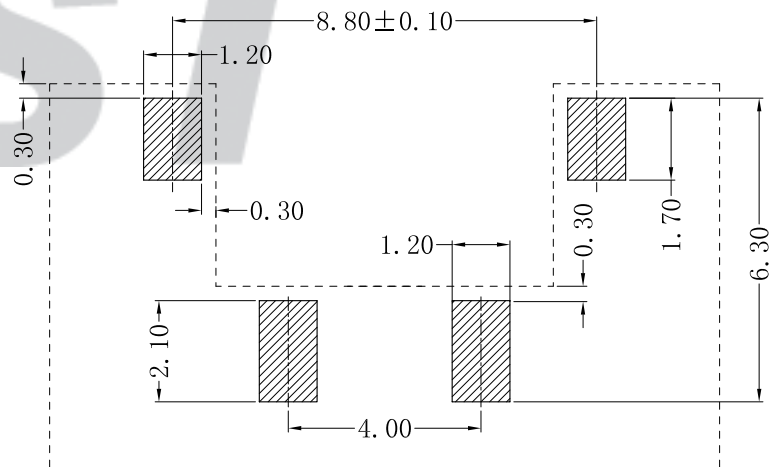
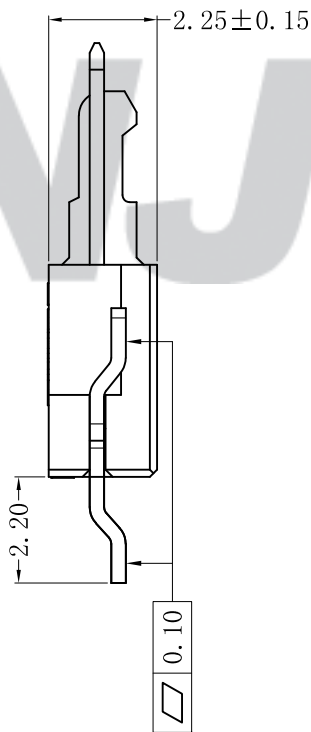
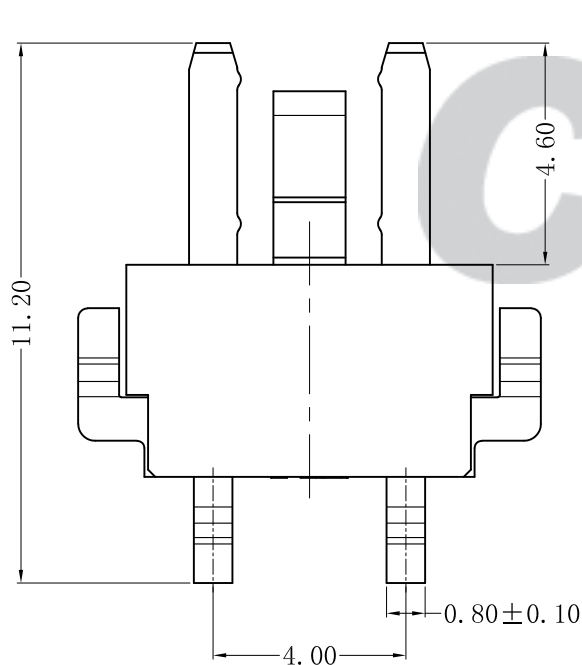


SPECIFICATION

- 1 Contact resistance: $\leq 30m\Omega$
- 2 Insulation resistance: $\geq 1000M\Omega$
- 3 Rated voltage: 400 V AC DC
- 4 Rated current: 2 A AC DC
- 5 Withstand Voltage: 1800V AC/minute
- 6 Temperature Range: $-25^{\circ}C \sim +85^{\circ}C$

ORDER INFORMATION:

B4003G-02-F2MB-R			
PART No.			
No. OF CIRCUITS:			PACKAGING:
PLASTIC MATERIAL:			G=TUBE
F2M=LCP (Nature)			R=Reel
			PLATING:
			B=Matte Sn



SUGGESTED PCB LAYOUT
(COMPONENT SIDE)

专利产品

Tolerance X.X ±0.30 X.XX ±0.20 X.XXX ±0.10 Angle ±3.0°	CNJST 捷仕泰企业		Drawn: 王丽君 2022. 12. 19
	Model No.: B4003G-02-F2MB-R		Checked: 吴丹平
	Model Name: 4.00mm pitch BTB MALE SMT		Approved: 林旭芝
	UNIT: mm		SCALE: FULL REVISION: C/0
			DWG NO. CNJST/GCCP-0555

REV.	DATE	DESCRIPTION	APPD.	NO.	DESCRIPTION	QTY	MATERIAL	PLATING/COLOR
C/0	2022. 12. 19	统一标准 更新模板	王丽君	②	Contacts	2	Phosphor Bronze	Mattn Sn
				①	Insulator	1	LCP (UL94V-0)	Nature