

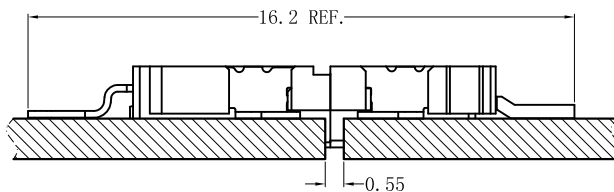
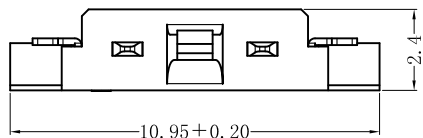
RoHS Compliant

SPECIFICATION

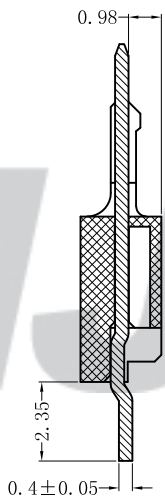
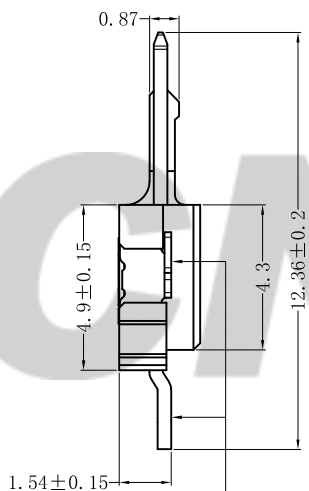
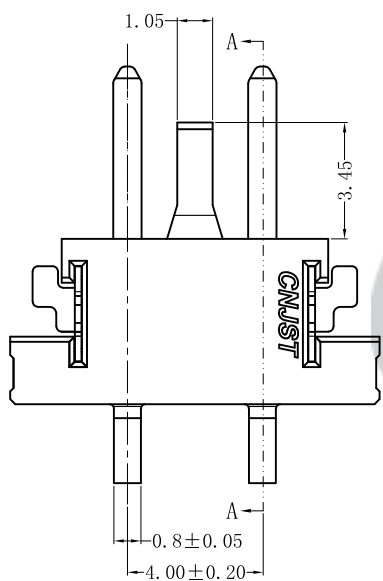
- 1 Contact resistance: $\leq 30m\Omega$
- 2 Insulation resistance: $\geq 1000M\Omega$
- 3 Rated voltage: 400 V AC DC
- 4 Rated current: 1 A AC DC
- 5 Withstand Voltage: 1800V AC/minute
- 6 Temperature Range: $-25^{\circ}C \sim +85^{\circ}C$

ORDER INFORMATION:

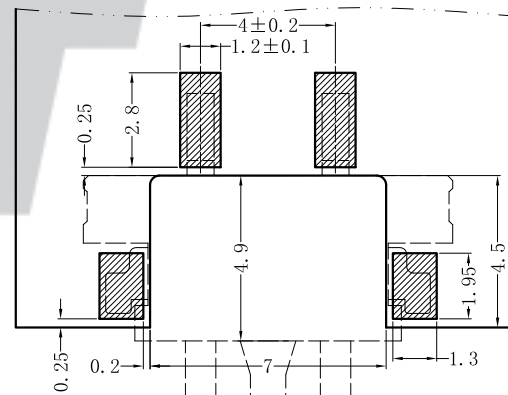
| | | | |
|-------------------------|--|------------|--|
| B4002G-02-F2MB-R | | | |
| PART No. | | | |
| No. OF CIRCUITS: | | PACKAGING: | |
| PLASTIC MATERIAL: | | G=TUBE | |
| F2M=LCP (Nature) | | R=Reel | |
| | | PLATING: | |
| | | B=Mattn Sn | |



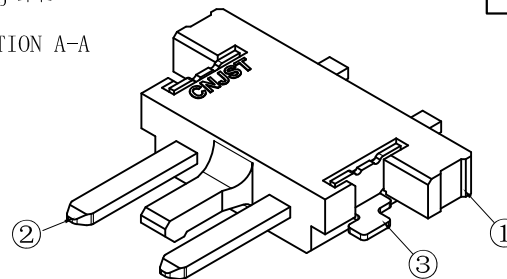
MATING VIEW



SECTION A-A



SUGGESTED PCB LAYOUT
(COMPONENT SIDE)



专利产品

| | | | |
|--|---------------------------------------|--|---------------------------|
| Tolerance X.X ±0.30 X.XX ±0.20 X.XXX ±0.10 Angle ±3.0° | CNJST 捷仕泰企业 | | Drawn: 王丽君 2022. 12. 09 |
| | Model No.: B4002G-02-F2MB-R | | Checked: 吴丹平 |
| | Model Name: 4.00mm pitch BTB MALE SMT | | Approved: 林旭芝 |
| | UNIT: mm | | SCALE: FULL REVISION: C/0 |
| | | | DWG NO. CNJST/GCCP-0454 |

| REV. | DATE | DESCRIPTION | APPD. | NO. | DESCRIPTION | QTY | MATERIAL | PLATING/COLOR |
|------|--------------|-------------|-------|-----|-------------|-----|-----------------|---------------|
| C/0 | 2022. 12. 09 | 统一标准 更新模板 | 王丽君 | ③ | Solder Tab | 2 | Brass | Mattn Sn |
| B/0 | 2018. 08. 22 | NEW RELEASE | | ② | Contacts | 2 | Phosphor Bronze | Mattn Sn |
| | | | | ① | Insulator | 1 | LCP (UL94V-0) | Nature |