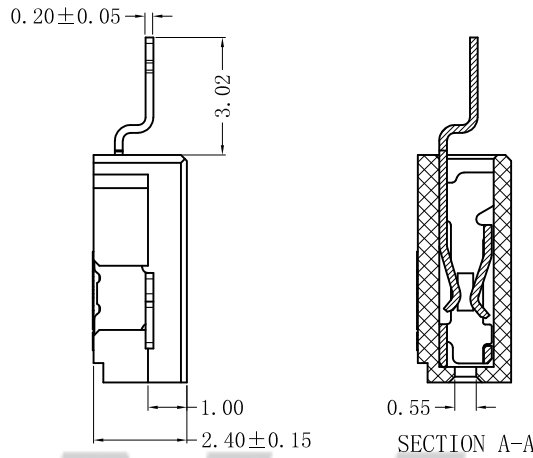
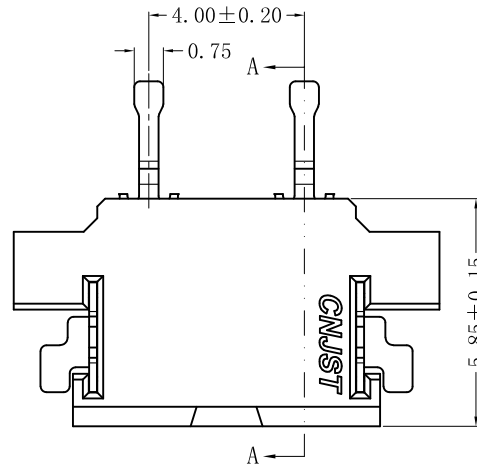


RoHS Compliant

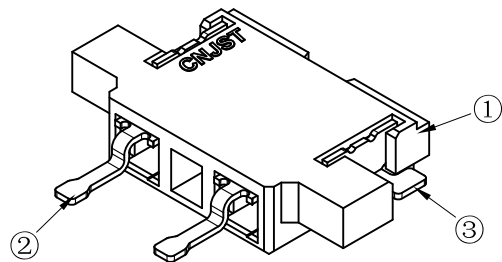
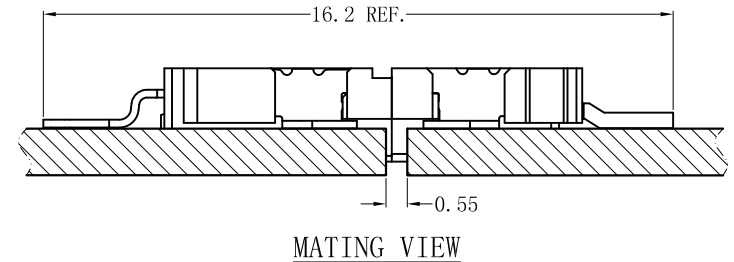
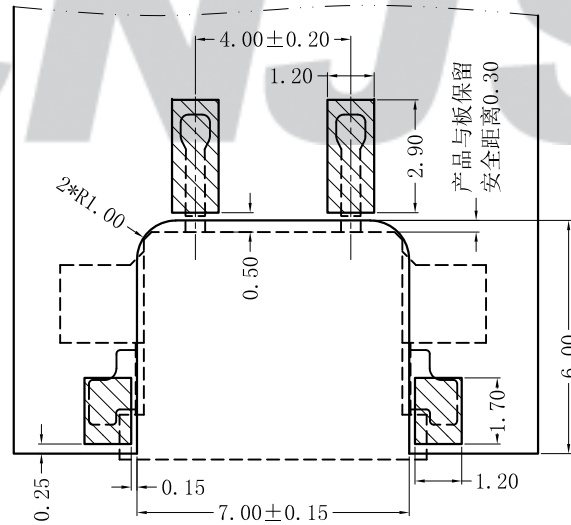
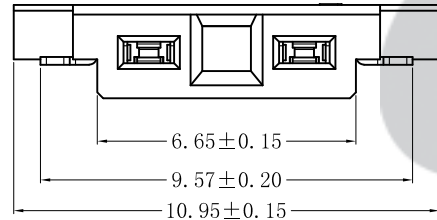


SPECIFICATION

- Contact resistance: $\leq 30m\Omega$
- Insulation resistance: $\geq 1000M\Omega$
- Rated voltage: 400 V AC DC
- Rated current: 1 A AC DC
- Withstand Voltage: 1800V AC/minute
- Temperature Range: $-25^{\circ}C \sim +85^{\circ}C$

ORDER INFORMATION:

B4002M-02-F2MB-R			
PART No.			
No. OF CIRCUITS:	02	PACKAGING:	G=TUBE R=Reel B=Mattn Sn
PLASTIC MATERIAL:	F2M=LCP (Nature)	PLATING:	B=Mattn Sn



SUGGESTED PCB LAYOUT
(COMPONENT SIDE)

Tolerance X.X ±0.30 X.XX ±0.20 X.XXX ±0.10 Angle ±3.0° UNIT: mm	CNJST 捷仕泰企业		Drawn: 王丽君 2022.12.14
	Model No.: B4002M-02-F2MB-R		Checked: 吴丹平
	Model Name: 4.00mm pitch BTB FEMALE SMT		Approved: 林旭芝
	SCALE: FULL REVISION: C/0		DWG NO. CNJST/GCCP-0455

REV.	DATE	DESCRIPTION	APPD.	NO.	DESCRIPTION	QTY	MATERIAL	PLATING/COLOR
				③	Solder Tab	2	Brass	Mattn Sn
				②	Contacts	2	Phosphor Bronze	Mattn Sn
C/0	2022.12.14	统一标准 更新模板	王丽君	①	Insulator	1	LCP (UL94V-0)	Nature

专利产品