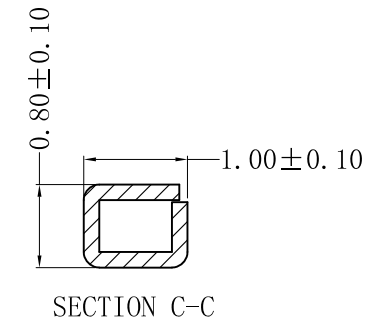
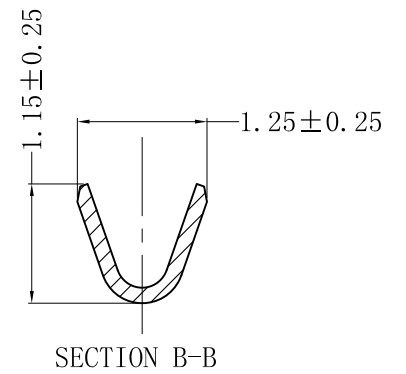
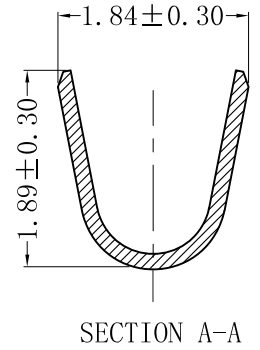
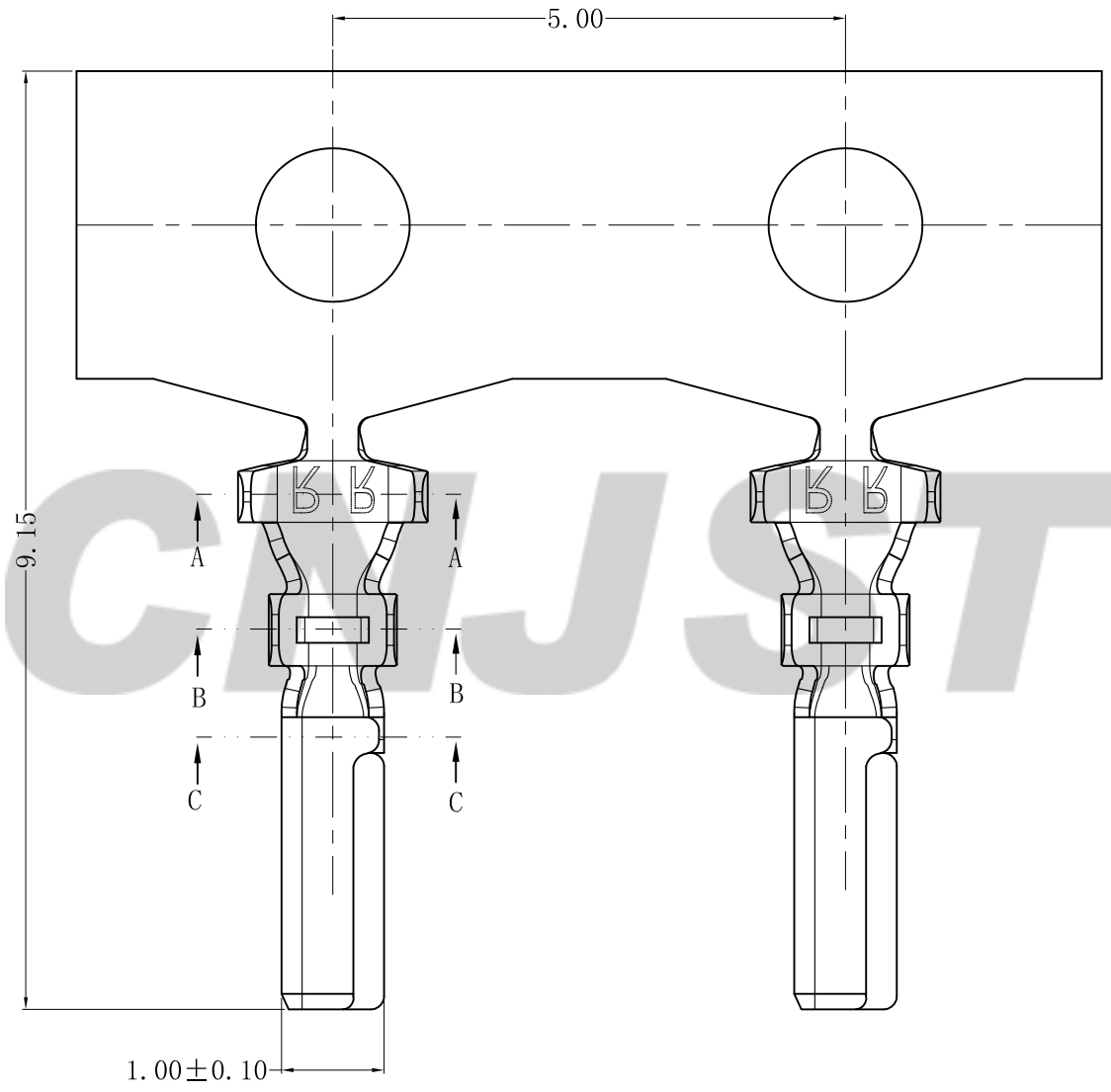
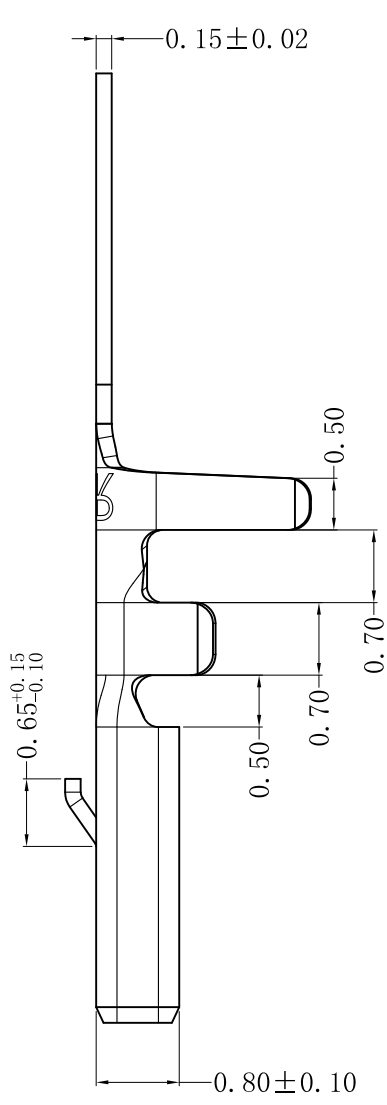


RoHS Compliant



Tolerance X.X ±0.30 X.XX ±0.20 X.XXX ±0.10 Angle ±3.0°	<b>CNJST</b> 捷仕泰企业		Drawn: 王丽君 2022. 12. 16
	Model No.: B3701T-PA-Z		Checked: 吴丹平
UNIT: mm	Model Name: 3.70mm PITCH CRIMP TERMINAL		Approved: 林旭芝
	SCALE: FULL	REVISION: C/0	DWG NO. CNJST/GCDZ-0071

C/0	2022. 12. 16	更新模板	王丽君	AWG #26~#28	1.14mm(max)	17,000PCS	Phosphor Bronze	Tin-plated
REV.	DATE	DESCRIPTION	APPD.	Wire Range	Insulation O.D.	QTY/Reel	Material	Plating