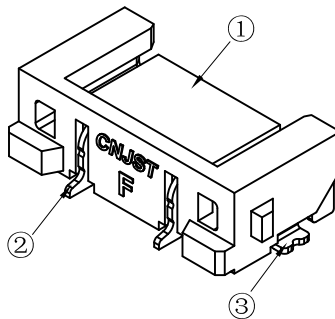
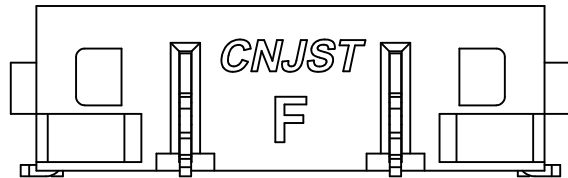
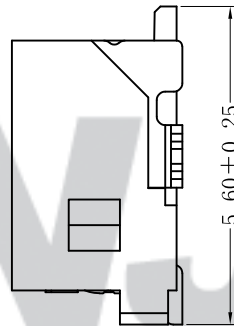
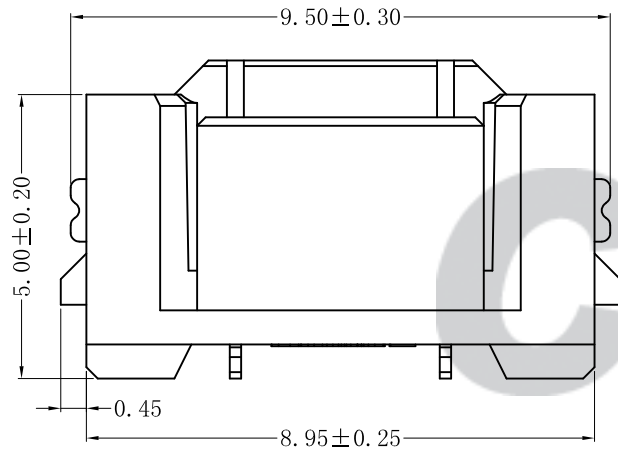
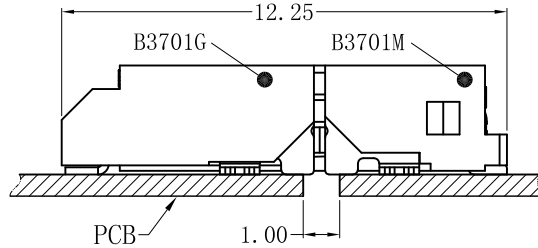
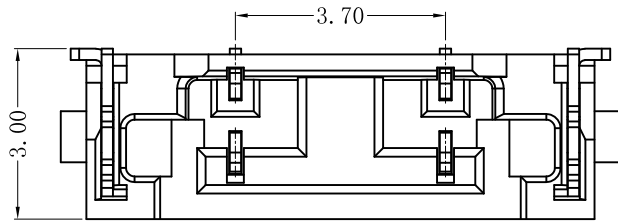


RoHS Compliant



SPECIFICATION

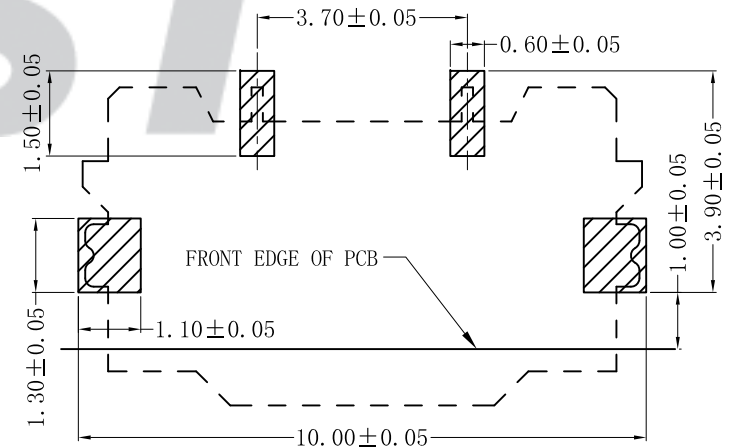
- 1 Contact resistance:  $\leq 40m\Omega$
- 2 Insulation resistance:  $\geq 1000M\Omega$
- 3 Rated voltage: 500 V AC DC
- 4 Rated current: 2 A AC DC
- 5 Withstand Voltage: 1500V AC/minute
- 6 Temperature Range:  $-25^{\circ}C \sim +85^{\circ}C$

ORDER INFORMATION:

**B3701M-02-F2MB-R**

PART No. \_\_\_\_\_  
 No. OF CIRCUITS: \_\_\_\_\_  
 02  
 PLASTIC MATERIAL: \_\_\_\_\_  
 F2M=LCP (NATURE)

PACKAGING:  
 R=Reel  
 PLATING:  
 B=Matte Sn



SUGGESTED PCB LAYOUT  
(COMPONENT SIDE)

专利产品

Tolerance X.X ±0.30 X.XX ±0.20 X.XXX ±0.10 Angle ±3.0°  UNIT: mm	<b>CNJST</b> 捷仕泰企业		Drawn: 王丽君 2022. 12. 05
	Model No.: B3701M-02-F2MB-R		Checked: 吴丹平
	Model Name: 3.70mm pitch BTB FEMALE SMT TYPE		Approved: 林旭芝
	SCALE: FULL REVISION: C/0		DWG NO. CNJST/GCCP-0354

REV.	DATE	DESCRIPTION	APPD.	NO.	DESCRIPTION	QTY	MATERIAL	PLATING/COLOR
C/0	2022. 12. 05	统一标准 更新模板	王丽君	③	SOLDER TAB	2	Phosphor Bronze	Matte Sn
B/0	2020. 12. 17	NEW RELEASE	黄羨程	②	CONTACTS	2	Phosphor Bronze	Matte Sn
				①	HOUSING	1	LCP (UL94V-0)	Nature