

RoHS Compliant

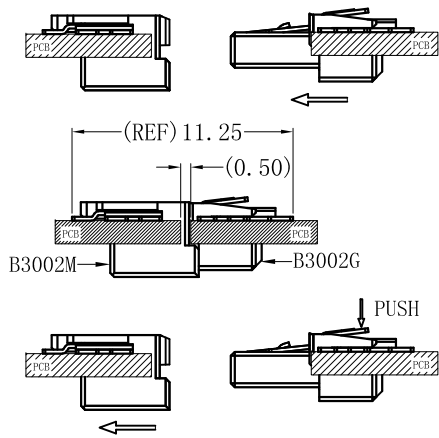
SPECIFICATION

- 1 Contact resistance:  $\leq 30m\Omega$
- 2 Insulation resistance:  $\geq 1000M\Omega$
- 3 Rated voltage: 200 V AC DC
- 4 Rated current: 1.0 A AC DC
- 5 Withstand Voltage: 1000V AC/minute
- 6 Temperature Range:  $-25^{\circ}C \sim +85^{\circ}C$

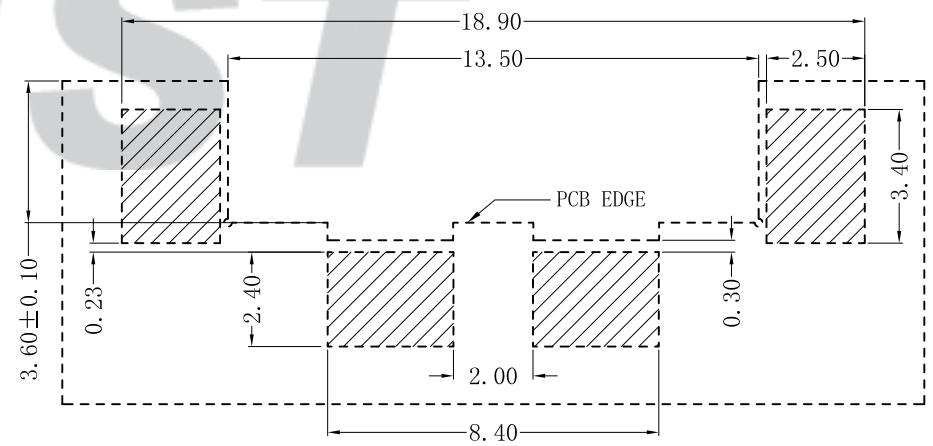
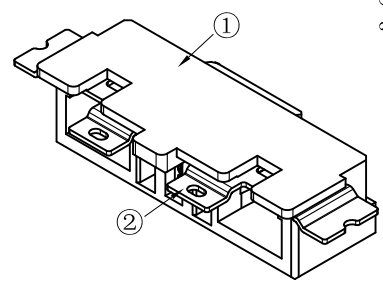
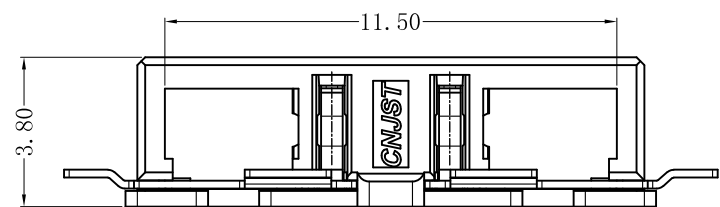
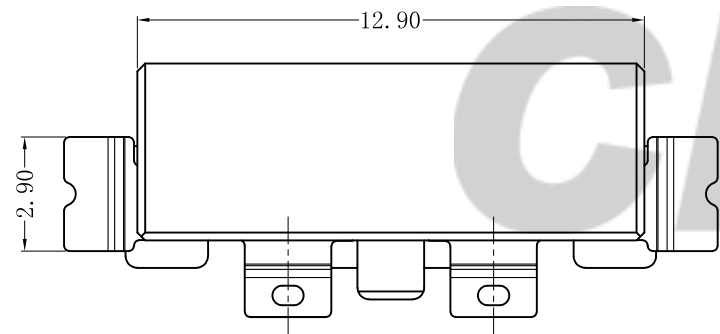
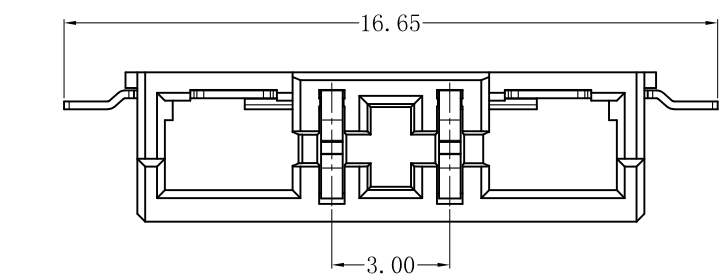
ORDER INFORMATION:

**B3002M-02-F2KB-R**

PART No.		PACKAGING:
No. OF CIRCUITS:	02	R=Reel
PLASTIC MATERIAL:	F2K=LCP (Black)	PLATING:
		B=Matte Sn



MATING VIEW  
SCALE 1:2



SUGGESTED PCB LAYOUT  
(COMPONENT SIDE)

Tolerance X.X ±0.30 X.XX ±0.20 X.XXX ±0.10 Angle ±3.0°	<b>CNJST</b> 捷仕泰企业		Drawn: 王丽君 2022. 12. 16
	Model No.: B3002M-02-F2KB-R		Checked: 吴丹平
UNIT: mm	Model Name: 3.00mm pitch BTB FEMALE SMT		Approved: 林旭芝
		SCALE: FULL REVISION: C/O	DWG NO. CNJST/GCCP-0574

REV.	DATE	DESCRIPTION	APPD.	NO.	DESCRIPTION	QTY	MATERIAL	PLATING/COLOR
C/O	2022. 12. 16	更新模板	王丽君	②	Contacts	2	Phosphor Bronze	Matte Sn
				①	Insulator	1	LCP (UL94V-0)	Black