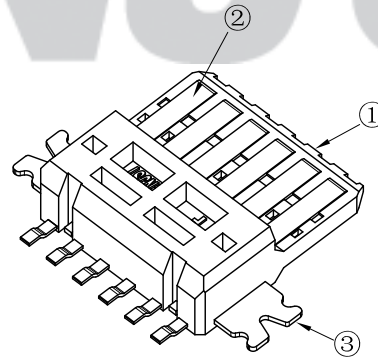
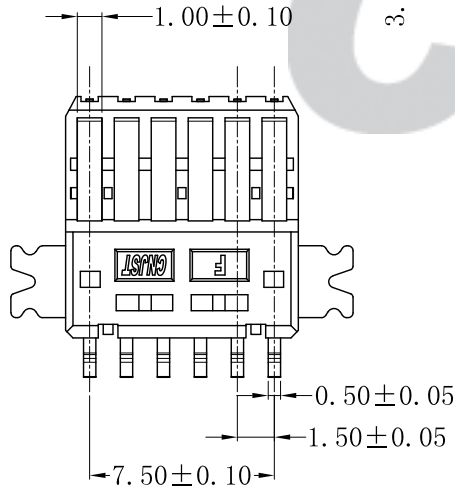
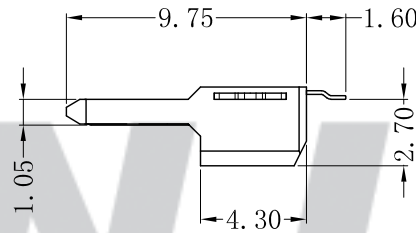
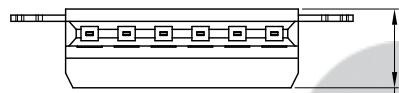
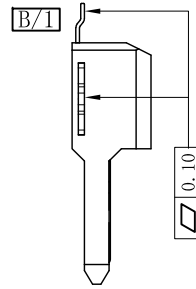
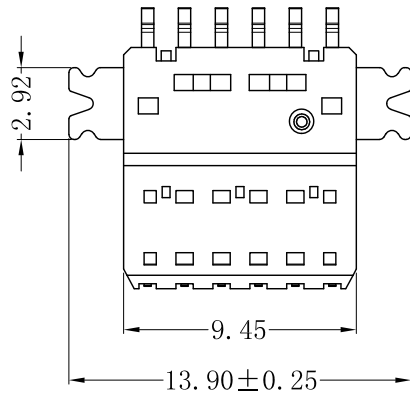


RoHS Compliant



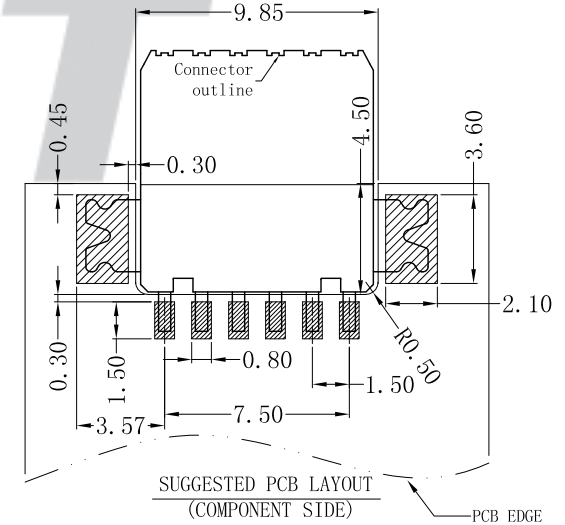
SPECIFICATION

- 1 Contact resistance:  $\leq 30m\Omega$
- 2 Insulation resistance:  $\geq 500M\Omega$
- 3 Rated voltage: 150 V AC DC
- 4 Rated current: 1.5 A AC DC
- 5 Withstand Voltage: 500V AC/minute
- 6 Temperature Range:  $-25^{\circ}C \sim +85^{\circ}C$

ORDER INFORMATION:

**B1506G-06-F2ME-R**

PART No.:	B1506G-06-F2ME-R	PACKAGING:	R=Reel
No. OF CIRCUITS:	06	PLATING:	E= (Contacts:Matte Sn;Gold plated contact parts) Solder Tabs:Gold plated over Nickel
PLASTIC MATERIAL:	F2M=LCP (Nature)		



专利产品

REV.	DATE	DESCRIPTION	APPD.	NO.	DESCRIPTION	QTY	MATERIAL	PLATING/COLOR	UNIT: mm	Model No. : B1506G-06-F2ME-R	Model Name: 1.50mm pitch BTB male SMT type	SCALE: FULL	REVISION: C/0
C/0	2022.08.15	统一标准, 更新模板	王程伟	③	Solder Tabs	1	Brass	Gold plated over Nickel	X.X ±0.30 X.XX ±0.20 X.XXX ±0.10 Angle ±3.0°	<b>CNJST 捷仕泰企业</b>	Drawn: 王程伟 2022.08.15		
B/1	2021.12.27	中针头部优化, ECN2021056	黄炎程	②	Contacts	6	Brass	Matte Sn (Gold plated contact parts)			Checked: 吴丹平		
B/0	2020.10.06	NEW RELEASE		①	Insulator	1	LCP (UL94V-0)	Nature			Approved: 林旭芝		
											DWG NO. CNJST/GCCP-0700		