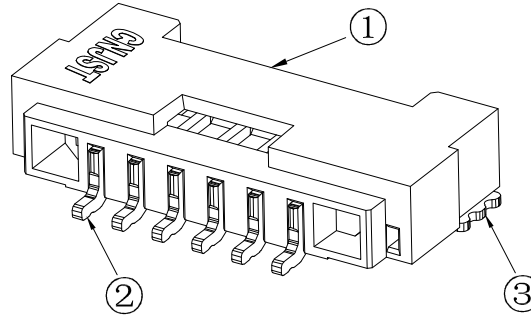
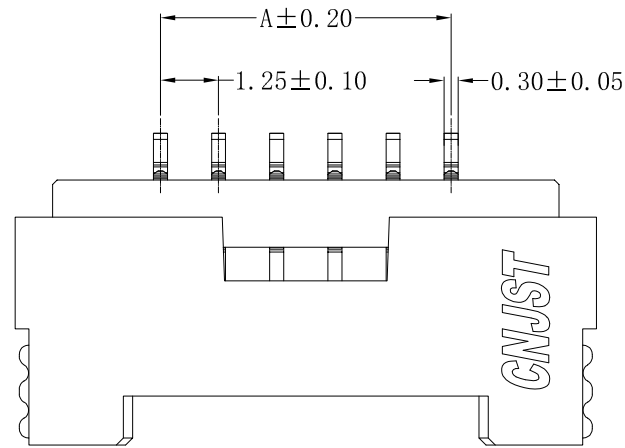


RoHS Compliant



SPECIFICATION

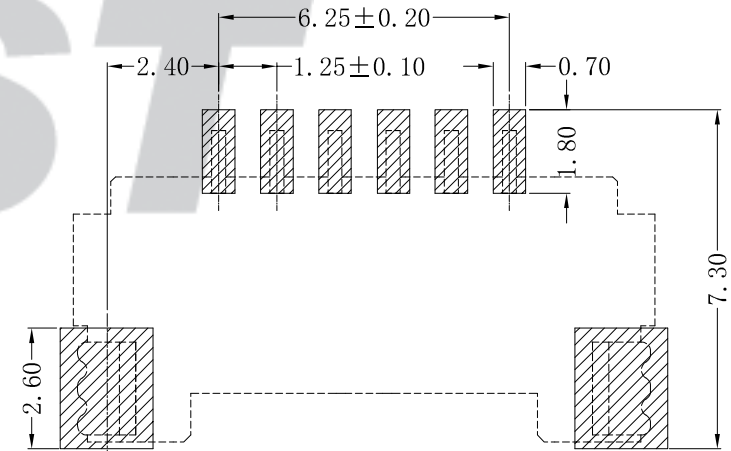
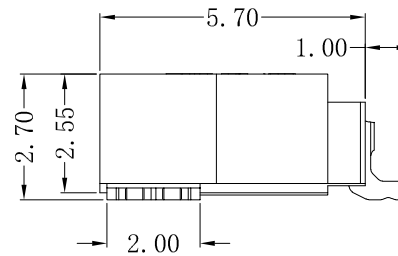
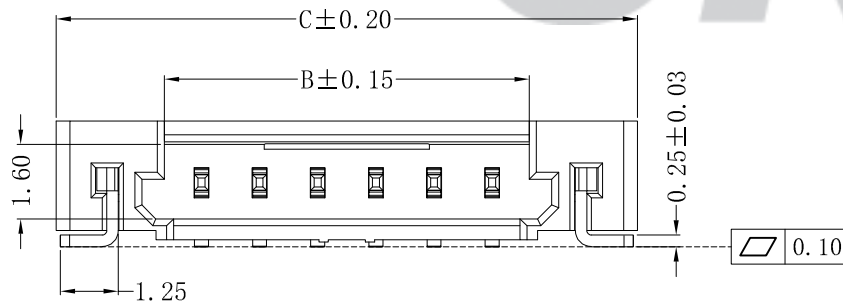
- 1 Contact resistance:  $\leq 20m\Omega$
- 2 Insulation resistance:  $\geq 500M\Omega$
- 3 Rated voltage: 200 V AC DC
- 4 Rated current: 1.0 A AC DC
- 5 Withstand Voltage: 500V AC/minute
- 6 Temperature Range:  $-25^{\circ}C \sim +85^{\circ}C$

ORDER INFORMATION:

**A12520AWR-\*\*-F2MC-R-48H**

PART No.:		PACKAGING:
No. OF CIRCUITS:		R=REEL
06/10		PLATING:
PLASTIC MATERIAL:		C=Gold Plated
F2M=LCP (Nature)		

Circuits	Dimensions (mm)		
	A	B	C
06	6.25	7.85	12.50
10	11.25	12.85	17.50



SUGGESTED PCB LAYOUT  
(COMPONENT SIDE)

专利产品

REV.	DATE	DESCRIPTION	APPD.	NO.	DESCRIPTION	QTY	MATERIAL	PLATING/COLOR
C/0	2022.12.09	统一标准 更新模版	黄美程	③	Solder Tab	2	Brass	Gold Plated
B/0	2021.07.03	NEW RELEASE	徐广	②	Contacts	6、10	Phosphor Bronze	Gold Plated
				①	Insulator	1	LCP (UL94V-0)	Nature

Tolerance	X.X ± 0.30
	X.XX ± 0.20
	X.XXX ± 0.10
Angle	± 3.0°
UNIT:	mm

**CNJST 捷仕泰企业**

Model No.: A12520AWR-\*\*-F2MC-R-48H

Model Name: 1.25mm Pitch 90° Wafer-SMT TYPE

SCALE: FULL REVISION: C/0

Drawn:	黄美程 2022.12.09
Checked:	吴丹平
Approved:	林旭芝
DWG NO.:	CNJST/GCCP-0287