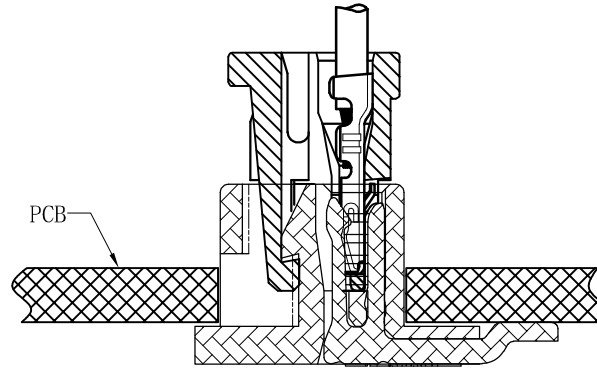
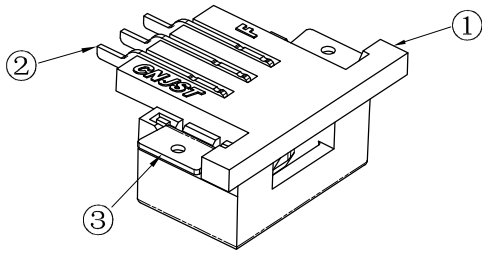


RoHS Compliant



SPECIFICATION

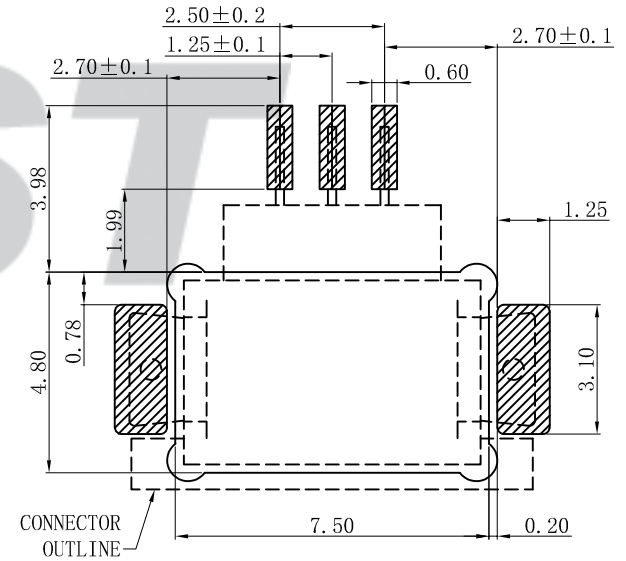
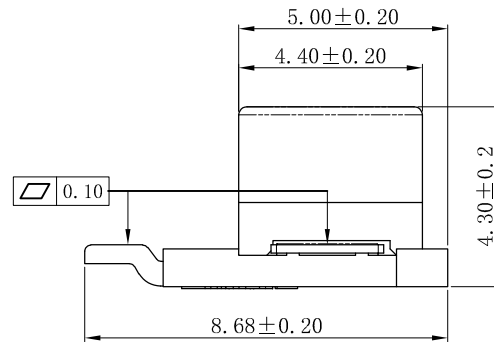
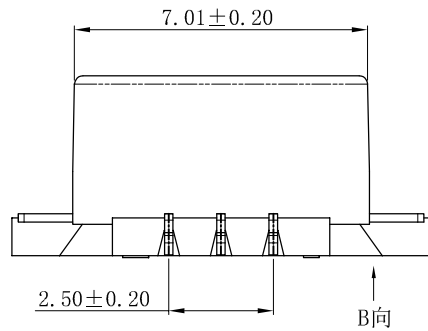
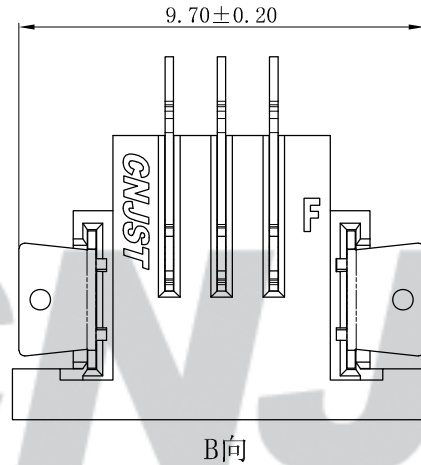
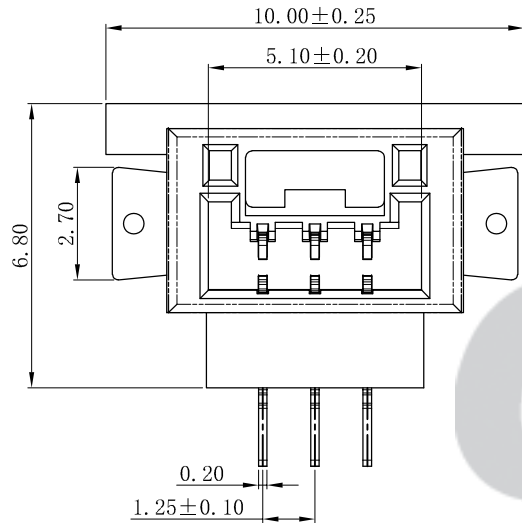
- 1 Contact resistance: $\leq 10m\Omega$
- 2 Insulation resistance: $\geq 1000M\Omega$
- 3 Rated voltage: 150 V AC DC
- 4 Rated current: 1.0 A AC DC
- 5 Withstand Voltage: 800V AC/minute
- 6 Temperature Range: $-25^{\circ}C \sim +85^{\circ}C$

ORDER INFORMATION:

A12517AWV-03-F2MA-R

PART No. _____
 No. OF CIRCUITS: _____
 03
 PLASTIC MATERIAL: _____
 F2M=LCP (NATURE)

PACKAGING: R=REEL
 PLATING: A=Tin-plated



SUGGESTED PCB LAYOUT (COMPONENT SIDE)

专利产品

REV.	DATE	DESCRIPTION	APPD.	NO.	DESCRIPTION	QTY	MATERIAL	PLATING/COLOR
C/O	2022.12.09	统一标准 更新模版	黄羨程	③	Solder Tab	2	Brass	Tin-plated
B/O	2021.07.26	NEW RELEASE	王程伟	②	Contacts	3	Phosphor Bronze	Tin-plated
				①	Insulator	1	LCP(UL94V-0)	Nature

Tolerance	X.X ±0.30
	X.XX ±0.20
	X.XXX ±0.10
Angle	±3.0°
UNIT:	mm

CNJST 捷仕泰企业

Model No.: A12517AWV-03-F2MA-R

Model Name: 1.25mm pitch 180° WAFER-SMT TYPE

SCALE: FULL

REVISION: C/O

Drawn:	黄羨程 2022.12.09
Checked:	吴丹平
Approved:	林旭芝
DWG NO.:	CNJST/GCCP-0697