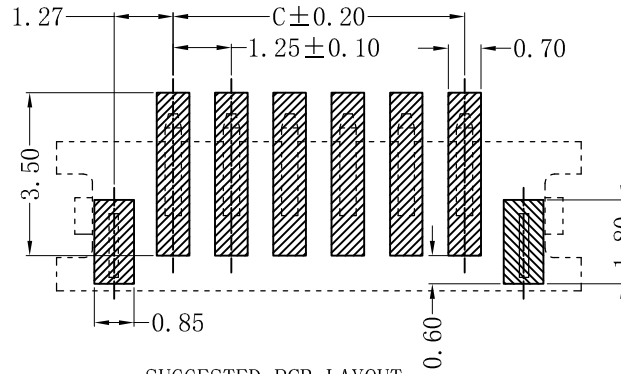
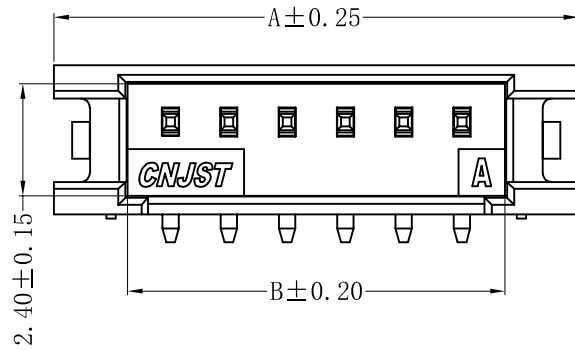


RoHS Compliant



SUGGESTED PCB LAYOUT
(COMPONENT SIDE)

SPECIFICATION

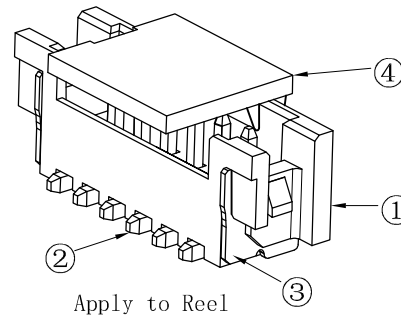
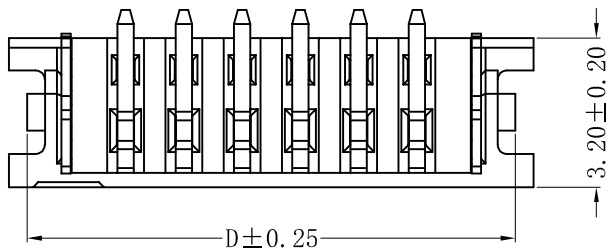
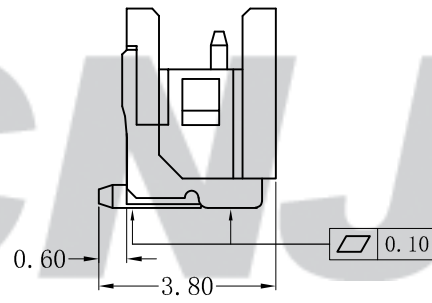
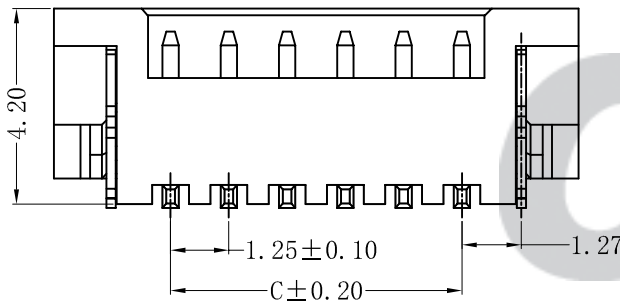
- 1 Contact resistance: $\leq 30m\Omega$
- 2 Insulation resistance: $\geq 100M\Omega$
- 3 Rated voltage: 125 V AC DC
- 4 Rated current: 1 A AC DC
- 5 Withstand Voltage: 500V AC/minute
- 6 Temperature Range: $-25^{\circ}C \sim +85^{\circ}C$

ORDER INFORMATION:

A12514AWV--F2MB-R-X**

PART No. _____
 No. OF CIRCUITS: _____
 02~15
 PLASTIC MATERIAL: _____
 F2M=LCP(Nature)

X:CAP
 PACKAGING:
 R=REEL
 PLATING:
 B=Matte Sn



Apply to Reel

Circuits	Dimensions (mm)			
	A	B	C	D
02	6.25	3.10	1.25	5.50
03	7.50	4.35	2.50	6.75
04	8.75	5.60	3.75	8.00
05	10.00	6.85	5.00	9.25
06	11.25	8.10	6.25	10.50
07	12.50	9.35	7.50	11.75
08	13.75	10.60	8.75	13.00
09	15.00	11.85	10.00	14.25
10	16.25	13.10	11.25	15.50
11	17.50	14.35	12.50	16.75
12	18.75	15.60	13.75	18.00
13	20.00	16.85	15.00	19.25
14	21.25	18.10	16.25	20.50
15	22.50	19.35	17.50	21.75

专利产品

REV.	DATE	DESCRIPTION	APPD.	NO.	DESCRIPTION	QTY	MATERIAL	PLATING/COLOR
C/0	2022.12.07	统一标准 更新模版	黄美程	④	Cap	1	LCP(UL94V-0)	Nature
B/0	2018.08.22	NEW RELEASE	黄金林	③	Solder Tab	2	Brass	Matte Sn
				②	Material	2~15	Phosphor Bronze	Matte Sn
				①	Insulator	1	LCP(UL94V-0)	Nature

Tolerance	X.X ±0.30
	X.XX ±0.20
	X.XXX ±0.10
Angle	±3.0°
UNIT:	mm

CNJST 捷仕泰企业

Model No.: A12514AWV-**-F2MB-R-X

Model Name: 1.25mm pitch 180° SMT TYPE

SCALE: FULL

REVISION: C/0

Drawn: 黄美程 2022.12.07
Checked: 吴丹平
Approved: 林旭芝
DWG NO.: CNJST/GCCP-0512