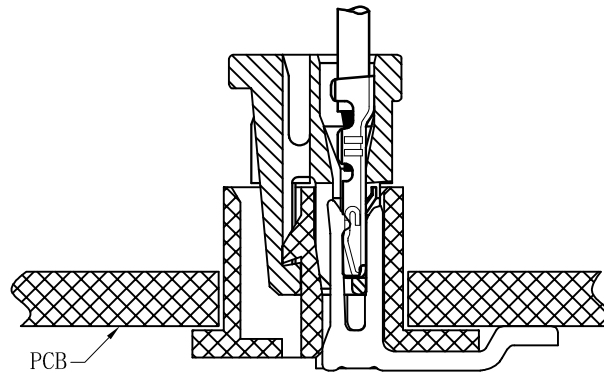
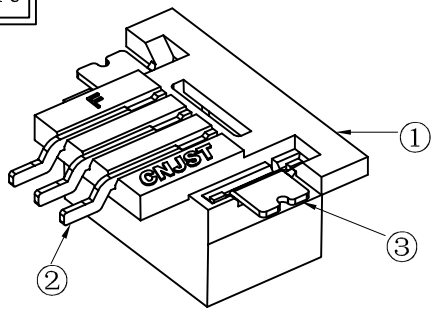


RoHS Compliant



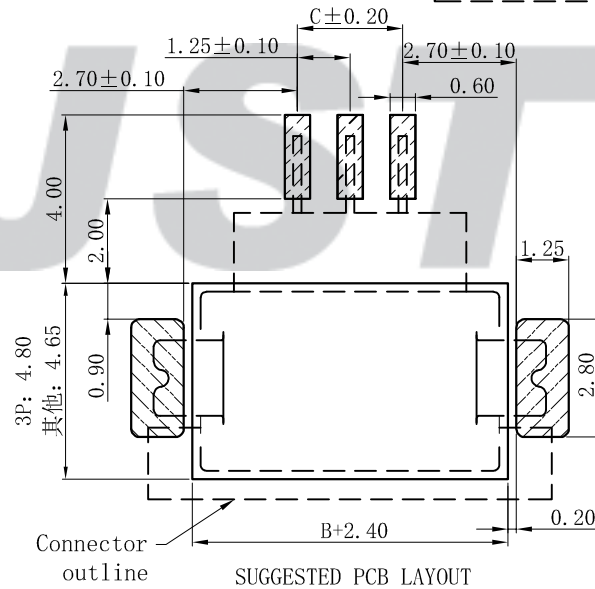
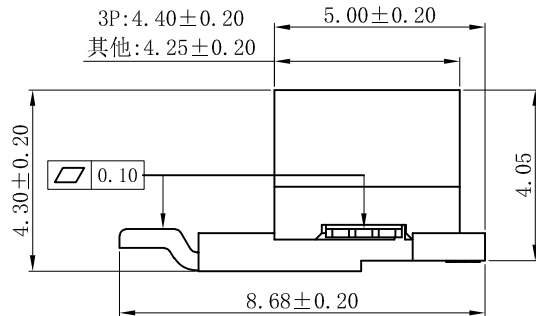
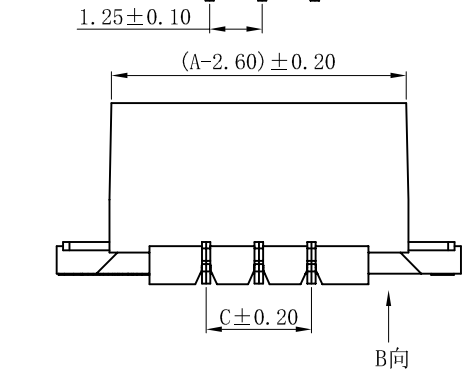
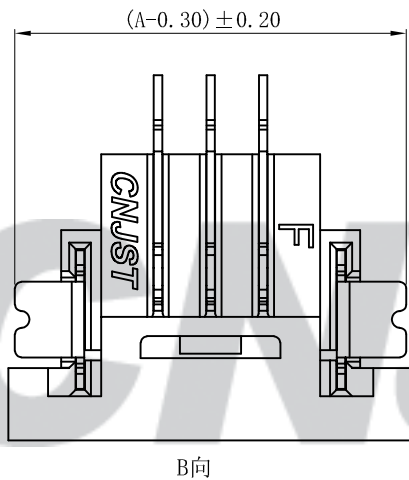
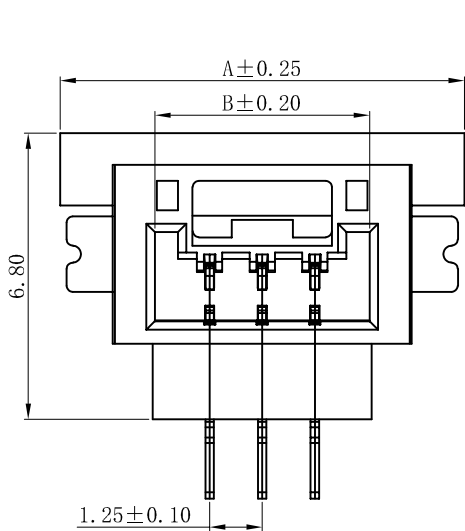
组合状态图

SPECIFICATION

- 1 Contact resistance: $\leq 10m\Omega$
- 2 Insulation resistance: $\geq 1000M\Omega$
- 3 Rated voltage: 150 V AC DC
- 4 Rated current: 1.0 A AC DC
- 5 Withstand Voltage: 800V AC/minute
- 6 Temperature Range: $-25^{\circ}C \sim +85^{\circ}C$

ORDER INFORMATION:

PART No. A12512AWV-**-F2MA-R		PACKAGING: R=REEL
No. OF CIRCUITS: 02~18		PLATING: A=Tin-plated
PLASTIC MATERIAL: F2M=LCP (NATURE)		



Circuits	Dimensions (mm)		
	A	B	C
02	8.35	3.85	1.25
03	9.60	5.10	2.50
04	10.85	6.35	3.75
05	12.10	7.60	5.00
06	13.35	8.85	6.25
07	14.60	10.10	7.50
08	15.85	11.35	8.75
09	17.10	12.60	10.00
10	18.35	13.85	11.25
11	19.60	15.10	12.50
12	20.85	16.35	13.75
13	22.10	17.60	15.00
14	23.35	18.85	16.25
15	24.60	20.10	17.50
16	25.85	21.35	18.75
17	27.10	22.60	20.00
18	28.35	23.85	21.25

专利产品

Tolerance
X.X ± 0.30
X.XX ± 0.20
X.XXX ± 0.10
Angle ± 3.0°

CNJST 捷仕泰企业

Drawn: 黄美程 2022.07.10

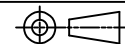
Model No.: A12512AWV-**-F2MA-R

Checked: 吴丹平

Model Name: 1.25mm pitch 180° WAFER-SMT TYPE

Approved: 林旭芝

UNIT: mm



SCALE: FULL

REVISION: C/0

DWG NO.: CNJST/GCCP-0375

REV.	DATE	DESCRIPTION	APPD.	NO.	DESCRIPTION	QTY	MATERIAL	PLATING/COLOR
C/0	2022.07.10	统一标准 更新模版	黄美程	③	Solder Tab	2	Brass	Tin-plated
B/0	2018.08.21	NEW RELEASE	黄金林	②	Contacts	2~18	Phosphor Bronze	Tin-plated
				①	Insulator	1	LCP (UL94V-0)	Nature