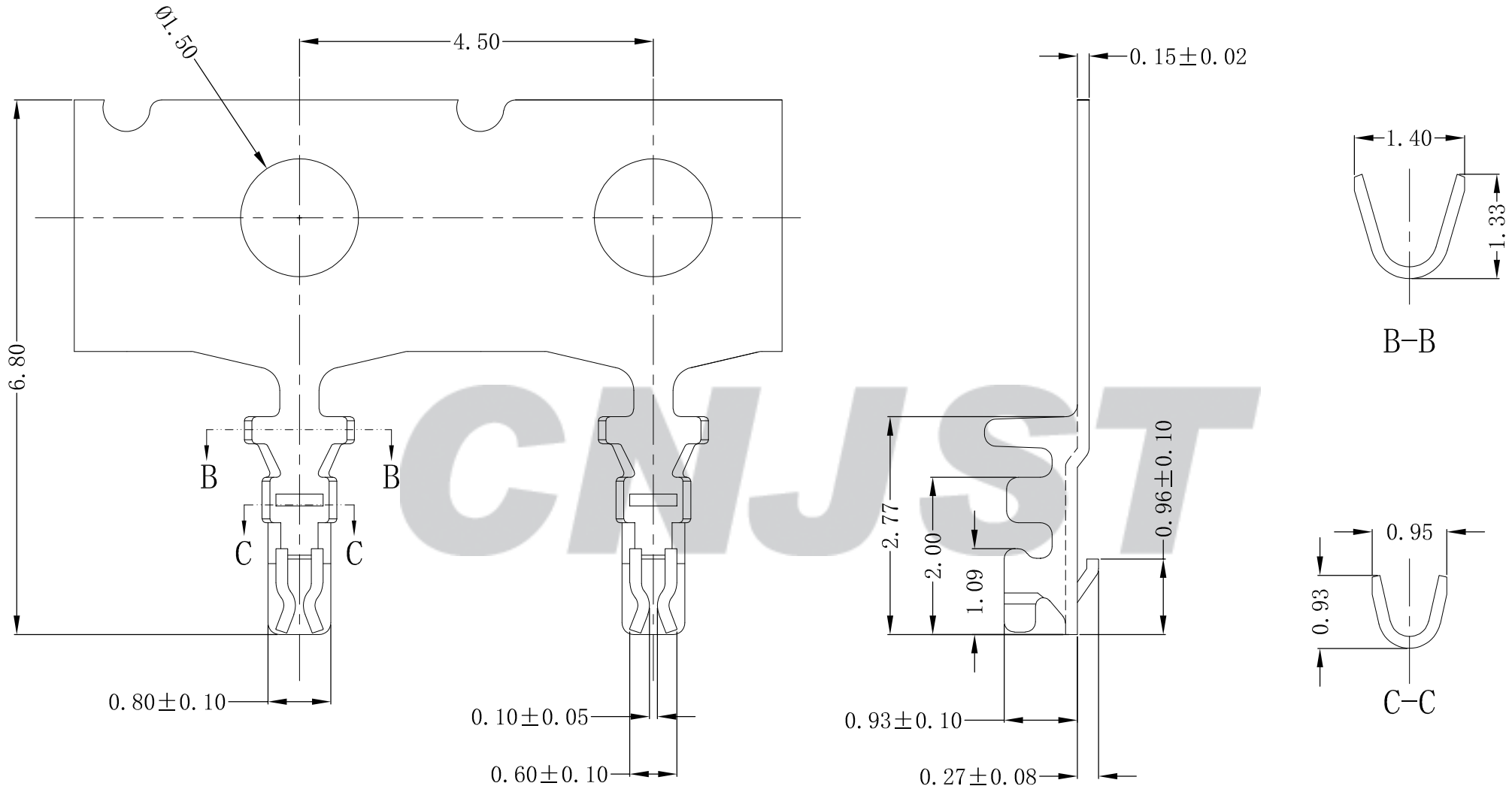


RoHS Compliant



Tolerance	
X.X	± 0.30
X.XX	± 0.20
X.XXX	± 0.10
Angle	$\pm 3.0^\circ$

CNJST 捷仕泰企业

Drawn: 黄美程 2022.08.04

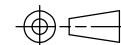
Model No.: A12511T-PA-Z

Checked: 吴丹平

Model Name: 1.25mm PITCH CRIMP TERMINAL

Approved: 林旭芝

UNIT: mm



SCALE: FULL

REVISION: C/0

DWG NO. CNJST/GCDZ-0076

REV.	DATE	DESCRIPTION	APPD.	Wire Range	Insulation O.D.	QTY/Reel	Material	Plating
C/0	2022.08.04	更新模板	黄美程					
B/0	2020.01.06	NEW RELEASE	黄金林	AWG #28~#32		15,000PCS	Phosphor Bronze	Tin-plated