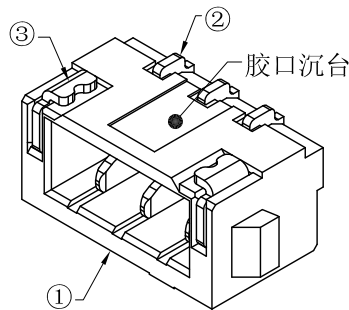
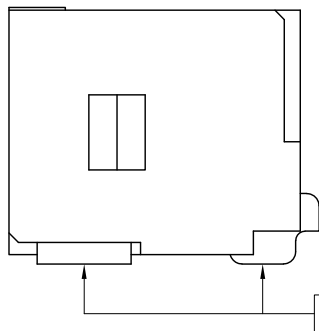
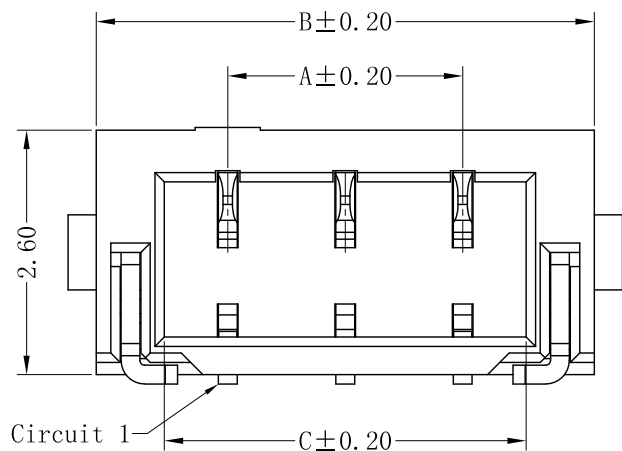


RoHS Compliant



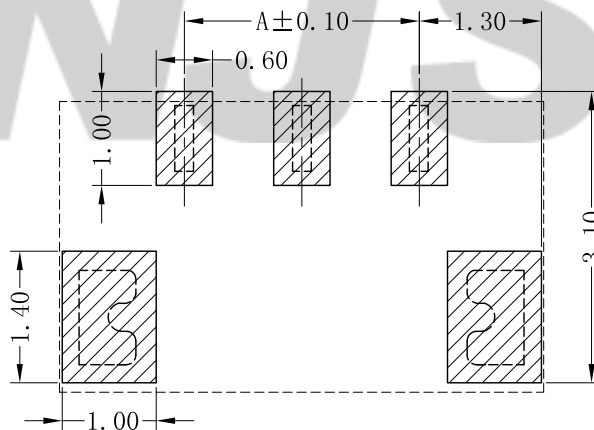
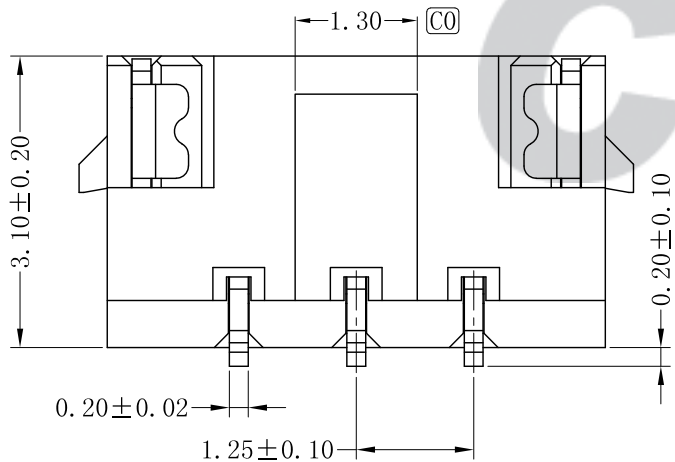
SPECIFICATION

- 1 Contact resistance: $\leq 10m\Omega$
- 2 Insulation resistance: $\geq 1000M\Omega$
- 3 Rated voltage: 250 V AC DC
- 4 Rated current: 1.0 A AC DC
- 5 Withstand Voltage: 800V AC/minute
- 6 Temperature Range: $-25^{\circ}C \sim +85^{\circ}C$

ORDER INFORMATION:

A12511AWR-**-F2MA-R

PART No.:			
No. OF CIRCUITS:			PACKAGING:
02~12			R=Reel
PLASTIC MATERIAL:			PLATING:
F2M=LCP (Nature)			A=Tin-plated



SUGGESTED PCB LAYOUT
(COMPONENT SIDE)

Circuits	Dimensions (mm)		
	A	B	C
02	1.25	4.05	2.60
03	2.50	5.30	3.85
04	3.75	6.55	5.10
05	5.00	7.80	6.35
06	6.25	9.05	7.60
07	7.50	10.30	8.85
08	8.75	11.55	10.10
09	10.00	12.80	11.35
10	11.25	14.05	12.60
11	12.50	15.30	13.85
12	13.75	16.55	15.10

专利产品

							Tolerance	CNJST 捷仕泰企业 Model No.: A12511AWR-**-F2MA-R Model Name: 1.25mm pitch 90° WAFER-SMT TYPE		Drawn: 王程伟 2022.08.04	
							X.X ±0.30			Checked: 吴丹平	
							X.XX ±0.20			Approved: 林旭芝	
							X.XXX ±0.10			DWG NO. CNJST/GCCP-0346	
C/0	2022.08.04	统一标准, 更新模板, 增加胶口沉台见ECR2022014	王程伟	③ Solder Tab	2	Brass	Tin-plated	SCALE: FULL REVISION: C/0			
B/0	2020.01.06	NEW RELEASE		② Contacts	2~12	Phosphor Bronze	Tin-plated				
REV.	DATE	DESCRIPTION	APPD.	NO.	DESCRIPTION	QTY	MATERIAL	PLATING/COLOR	UNIT: mm		