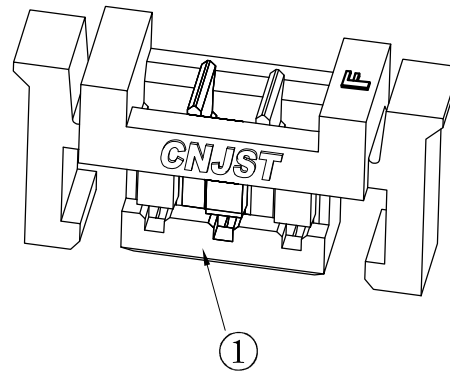
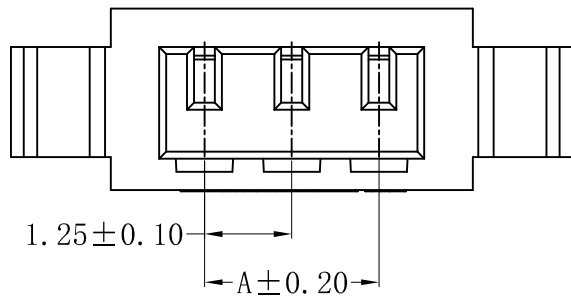


RoHS Compliant



SPECIFICATION

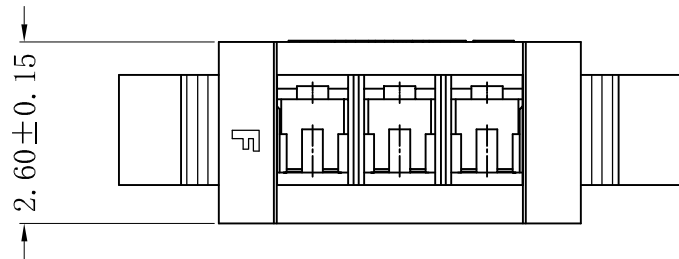
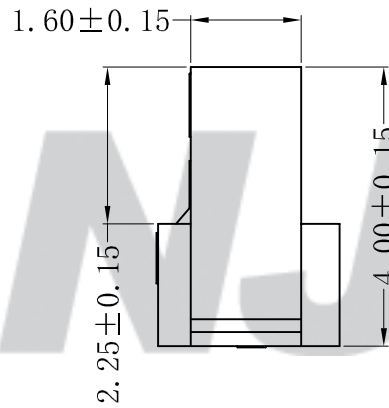
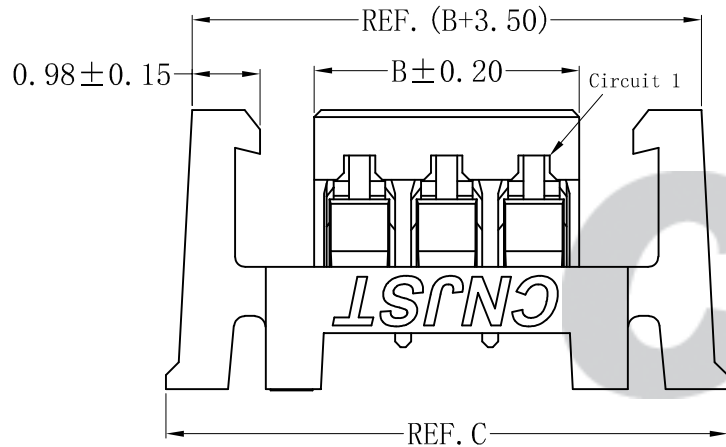
- 1 Contact resistance: $\leq 10\text{m}\Omega$
- 2 Insulation resistance: $\geq 1000\text{M}\Omega$
- 3 Rated voltage: 250 V AC DC
- 4 Rated current: 1.0 A AC DC
- 5 Withstand Voltage: 800V AC/minute
- 6 Temperature Range: $-25^{\circ}\text{C} \sim +85^{\circ}\text{C}$

ORDER INFORMATION:

A12511Y--A6W-P**

PART No. _____
 No. OF CIRCUITS: _____
 02~12 _____
 PLASTIC MATERIAL: _____
 A6W=PA66(White) _____

PACKAGING:
P=Pe

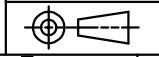


Circuits	Dimensions (mm)		
	A	B	C
02	1.25	2.55	6.80
03	2.50	3.80	8.05
04	3.75	5.05	9.30
05	5.00	6.30	10.55
06	6.25	7.55	11.80
07	7.50	8.80	13.05
08	8.75	10.05	14.30
09	10.00	11.30	15.55
10	11.25	12.55	16.80
11	12.50	13.80	18.05
12	13.75	15.05	19.30

专利产品

Tolerance X.X ±0.30 X.XX ±0.20 X.XXX ±0.10 Angle ±3.0°	CNJST 捷仕泰企业		Drawn: 黄美程 2022.08.04
	Model No.: A12511Y-**-A6W-P		Checked: 吴丹平
	Model Name: 1.25mm PITCH HOUSING		Approved: 林旭芝
	UNIT: mm	SCALE: FULL	REVISION: C/0

REV.	DATE	DESCRIPTION	APPD.	NO.	DESCRIPTION	QTY	MATERIAL	PLATING/COLOR
C/O	2022.08.04	更新模版	黄美程					
B/O	2020.11.18	NEW RELEASE	黄金林	①	Insulator	1	PA66(UL94V-0)	White



SCALE: FULL

REVISION: C/0

DWG NO. CNJST/GCCP-0409