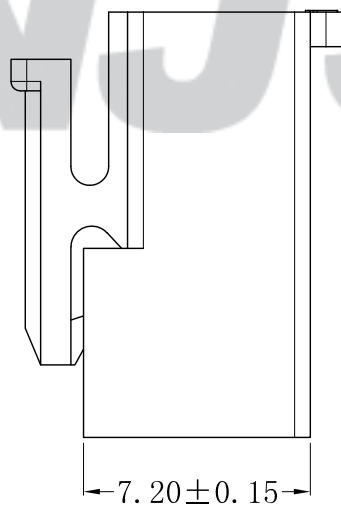
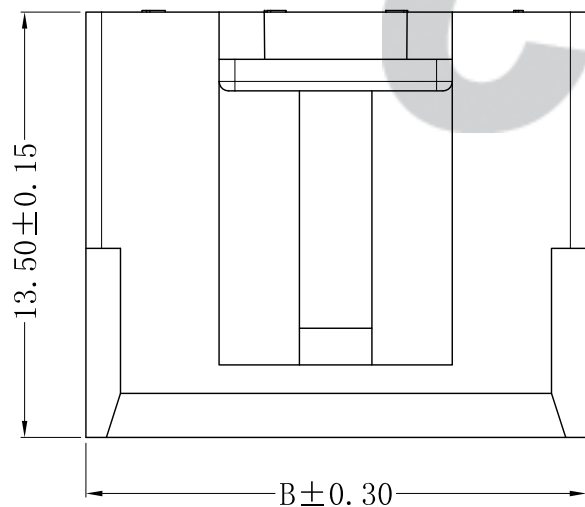
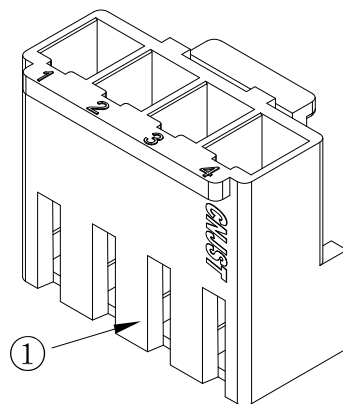
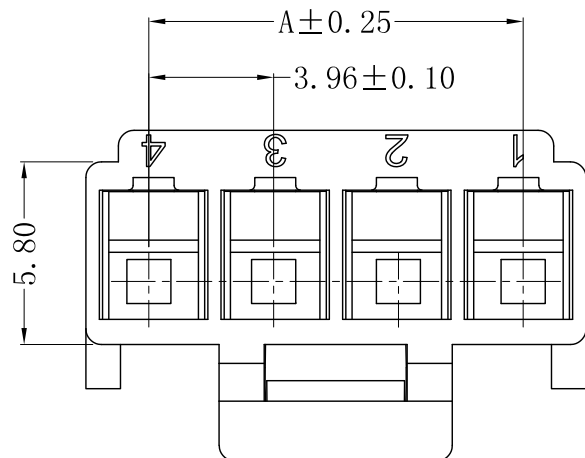


RoHS Compliant



SPECIFICATION

- 1 Contact resistance: $\leq 10\text{m}\Omega$
- 2 Insulation resistance: $\geq 1000\text{M}\Omega$
- 3 Rated voltage: 250 V AC DC
- 4 Rated current: 7 A AC DC
- 5 Withstand Voltage: 1500V AC/minute
- 6 Temperature Range: $-25^{\circ}\text{C} \sim +85^{\circ}\text{C}$

ORDER INFORMATION:

| | |
|---------------------------|--------------------------------------|
| A3962Y-**-A6W-P | |
| PART No.: | PACKAGING: P=PE |
| No. OF CIRCUITS: 02~06 | PLASTIC MATERIAL: A6W=PA66(White) |

| Circuits | Dimensions (mm) | |
|----------|-----------------|-------|
| | A | B |
| 02 | 3.96 | 8.06 |
| 03 | 7.92 | 11.92 |
| 04 | 11.88 | 15.88 |
| 05 | 15.84 | 19.84 |
| 06 | 19.80 | 23.80 |

| | | | |
|--|----------------------------------|-------------|-----------------------|
| Tolerance X.X ±0.30 X.XX ±0.20 X.XXX ±0.10 Angle ±3.0° | CNJST 捷仕泰企业 | | Drawn: 王丽君 2023.04.18 |
| | Model No.: A3962Y-**-A6W-P | | Checked: 吴丹平 |
| | Model Name: 3.96mm PITCH HOUSING | | Approved: 林旭芝 |
| | UNIT: mm | SCALE: FULL | REVISION: C/1 |

| REV. | DATE | DESCRIPTION | APPD. | NO. | DESCRIPTION | QTY | MATERIAL | PLATING/COLOR |
|------|------------|-------------------|-------|-----|-------------|-----|---------------|---------------|
| C/1 | 2023.04.18 | 详见ECR: JST2023001 | 王丽君 | | | | | |
| C/0 | 2022.07.08 | 统一标准 更新模版 | 王丽君 | ① | Insulator | 1 | PA66(UL94V-0) | White |