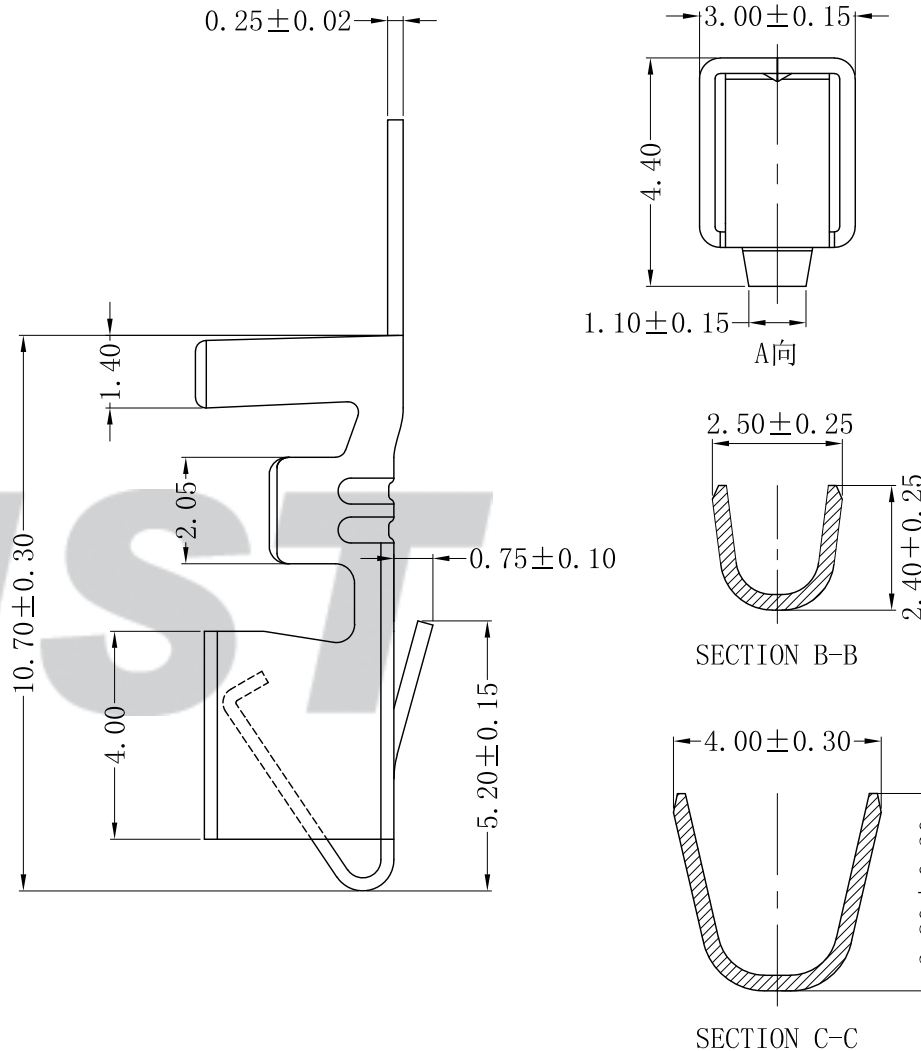
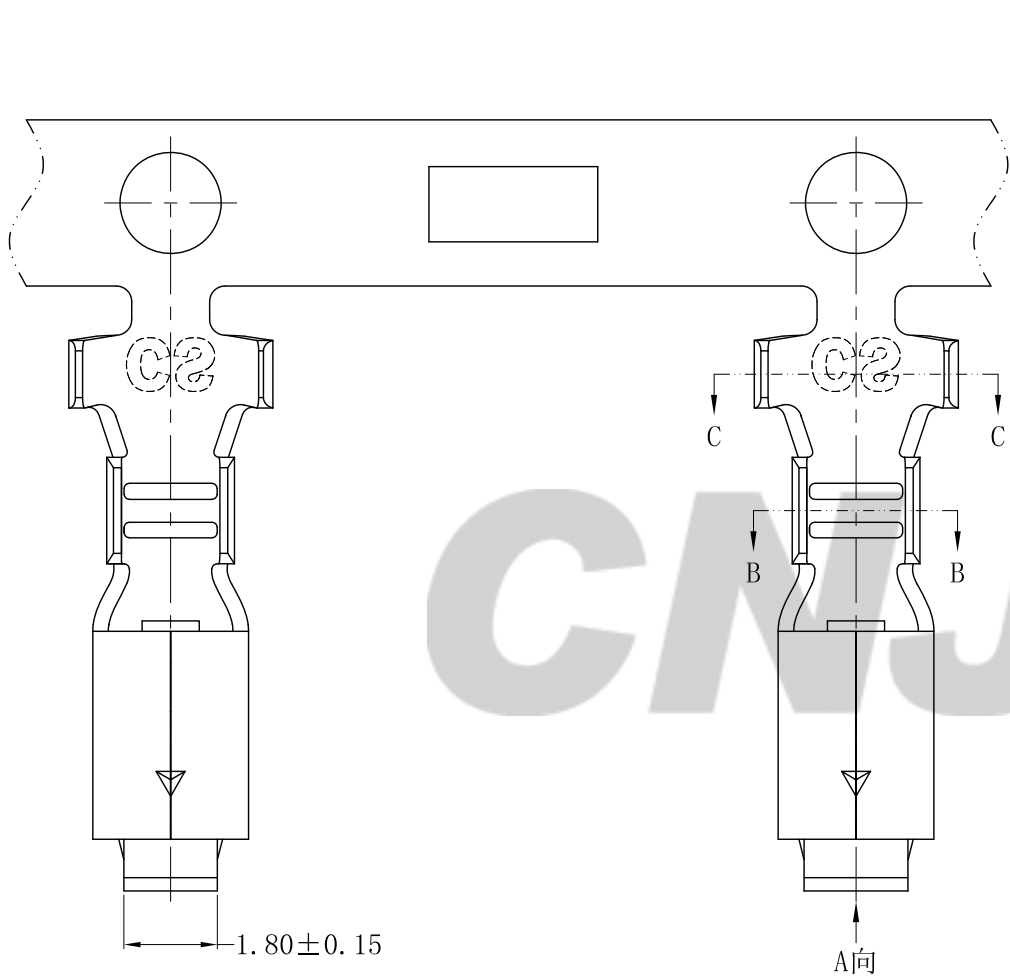


RoHS Compliant



CNJST

										Tolerance		CNJST 捷仕泰企业		Drawn: 王程伟 2022.07.09	
										X.X ±0.30				Model No: A3962T-PA-Z	
										X.XX ±0.20		Model Name: 3.96mm PITCH CRIMP TERMINAL		Approved: 林旭芝	
										X.XXX ±0.10		UNIT: mm		REVISION: C/0	
										Angle ±3.0°				DWG NO. CNJST/GCDZ-0022	
C/0	2022.07.09	更新模板	王程伟												
B/0	2017.09.13	NEW RELEASE	徐广	AWG #18~#22	3.00mm (Max)	3000PCS	Phosphor Bronze	Tin-plated							
REV.	DATE	DESCRIPTION	APPD.	Wire Range	Insulation O.D.	QTY/Reel	Material	Plating							