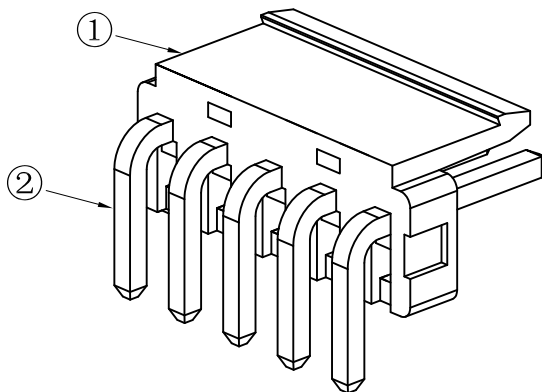
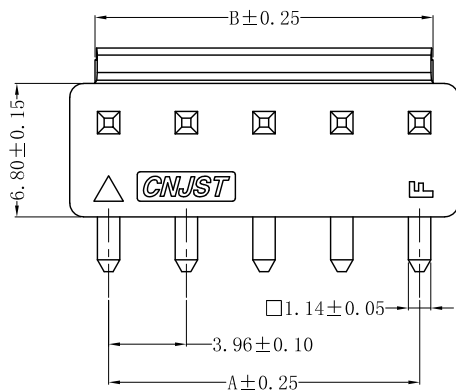


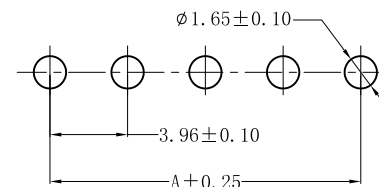
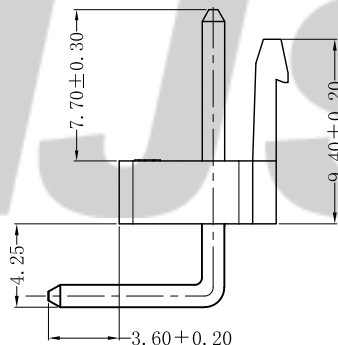
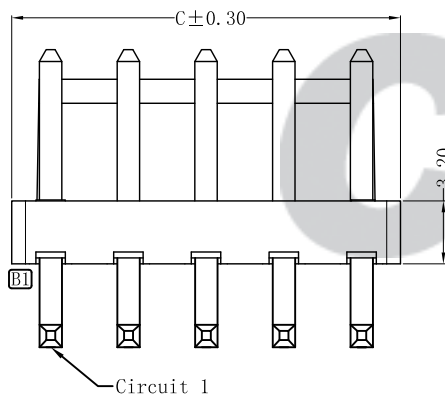
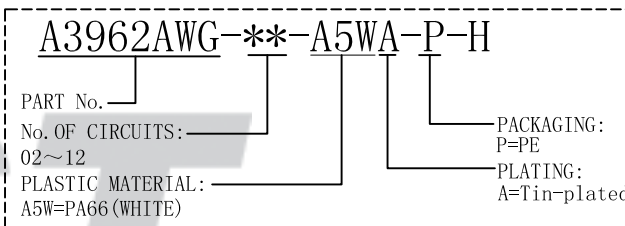
RoHS Compliant



SPECIFICATION

- 1 Contact resistance: $\leq 10\text{m}\Omega$
- 2 Insulation resistance: $\geq 10000\text{M}\Omega$
- 3 Rated voltage: 250 V AC DC
- 4 Rated current: 7 A AC DC
- 5 Withstand Voltage: 1500V AC/minute
- 6 Temperature Range: $-25^{\circ}\text{C} \sim +85^{\circ}\text{C}$

ORDER INFORMATION:



SUGGESTED PCB LAYOUT
(COMPONENT SIDE)

Circuits	Dimensions (mm)			Circuits	Dimensions (mm)		
	A	B	C		A	B	C
02	3.96	5.34	7.94	08	27.72	29.10	31.70
03	7.92	9.30	11.90	09	31.68	33.06	35.66
04	11.88	13.26	15.86	10	35.64	37.02	39.62
05	15.84	17.22	19.82	11	39.60	40.98	43.58
06	19.80	21.18	23.78	12	43.56	44.94	47.54
07	23.76	25.14	27.74				

Tolerance X.X ±0.30 X.XX ±0.20 X.XXX ±0.10 Angle ±3.0°	CNJST 捷仕泰企业		Drawn: 王丽君 2022.07.08
	Model No. : A3962AWG-**-A5WA-P-H		Checked: 吴丹平
	Model Name: 3.96mm PITCH 90° WAFER		Approved: 林旭芝
	UNIT: mm	SCALE: FULL	REVISION: C/0

REV.	DATE	DESCRIPTION	APPD.	NO.	DESCRIPTION	QTY	MATERIAL	PLATING/COLOR
C/0	2022.07.08	统一标准 更新模版	王丽君					
B/1	2021.08.27	脱料孔加胶优化, ECRJST2021014	徐广	②	Contacts	2~12	Brass	Tin-plated
B/0	2019.05.08	NEW RELEASE	徐广	①	Insulator	1	PA66 (UL94V-0)	White