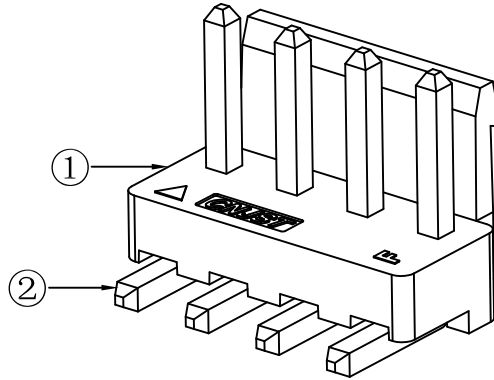
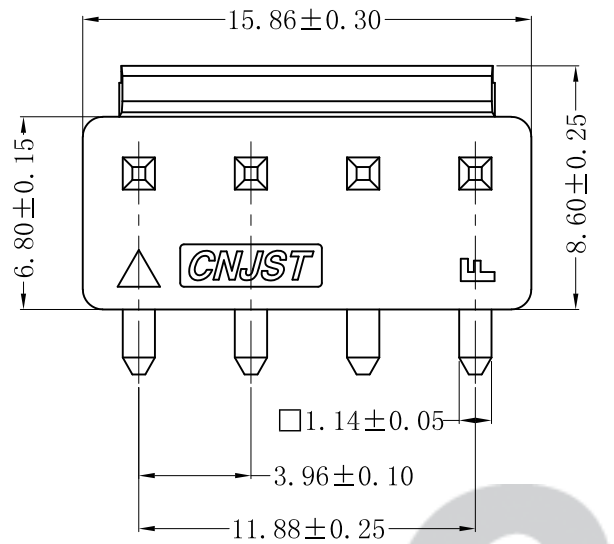


RoHS Compliant



SPECIFICATION

- 1 Contact resistance: $\leq 10\text{m}\Omega$
- 2 Insulation resistance: $\geq 1000\text{M}\Omega$
- 3 Rated voltage: 250 V AC DC
- 4 Rated current: 7 A AC DC
- 5 Withstand Voltage: 1500V AC/minute
- 6 Temperature Range: $-25^{\circ}\text{C} \sim +85^{\circ}\text{C}$

ORDER INFORMATION:

A3962AWV-04-D1MA-R

PART No. _____

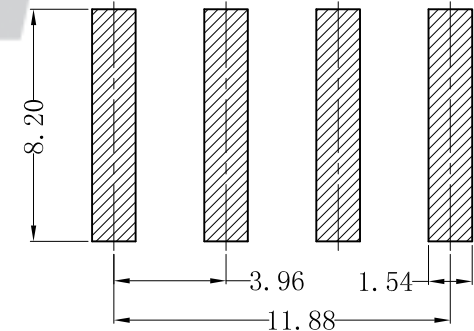
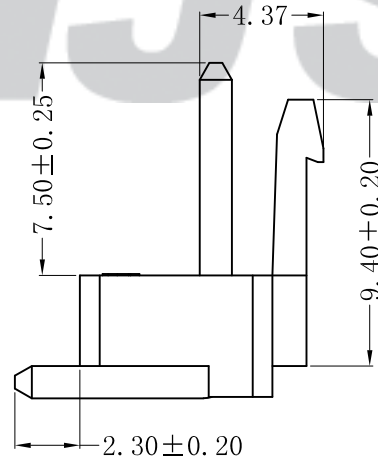
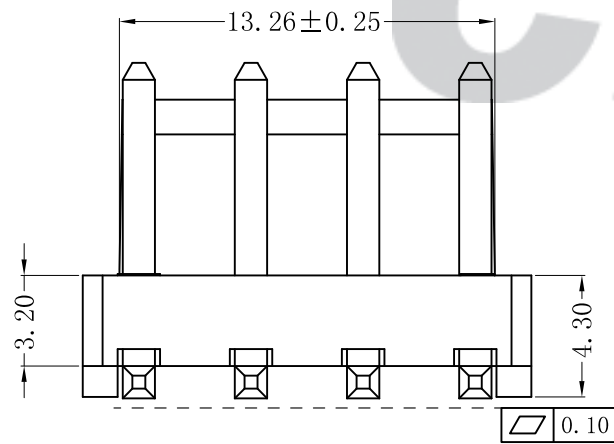
No. OF CIRCUITS: _____

PLASTIC MATERIAL: _____

DIM=PA9T (Nature)

PACKAGING: R=Reel

PLATING: A=Tin-plated



SUGGESTED PCB LAYOUT
(COMPONENT SIDE)

Tolerance X.X ±0.30 X.XX ±0.20 X.XXX ±0.10 Angle ±3.0°	CNJST 捷仕泰企业		Drawn: 王丽君 2022.07.08
	Model No.: A3962AWV-04-D1MA-R		Checked: 吴丹平
	Model Name: 3.96mm PITCH 180° WAFER		Approved: 林旭芝
UNIT: mm		SCALE: FULL	REVISION: C/0
			DWG NO. CNJST/GCCP-0608

REV.	DATE	DESCRIPTION	APPD.	NO.	DESCRIPTION	QTY	MATERIAL	PLATING/COLOR
C/0	2022.07.08	统一标准 更新模版	王丽君	②	Contacts	4	Brass	Tin-plated
B/0	2021.05.25	NEW RELEASE	黄羨程	①	Insulator	1	PA9T (UL94V-0)	Nature