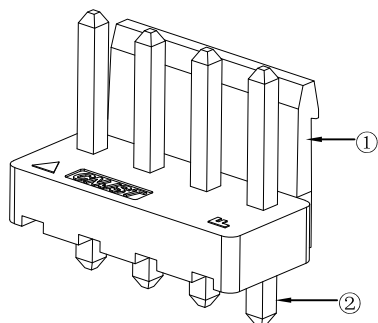


RoHS Compliant



SPECIFICATION

- 1 Contact resistance: $\leq 10m\Omega$
- 2 Insulation resistance: $\geq 1000M\Omega$
- 3 Rated voltage: 250 V AC DC
- 4 Rated current: 7 A AC DC
- 5 Withstand Voltage: 1500V AC/minute
- 6 Temperature Range: $-25^{\circ}C \sim +85^{\circ}C$

ORDER INFORMATION:

A3962A--A5WA-P-D**

PART No. _____

No. OF CIRCUITS: _____

02~12

PLASTIC MATERIAL: _____

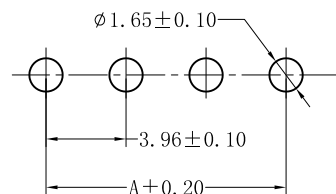
A5W=PA66 (WHITE)

PACKAGING: _____

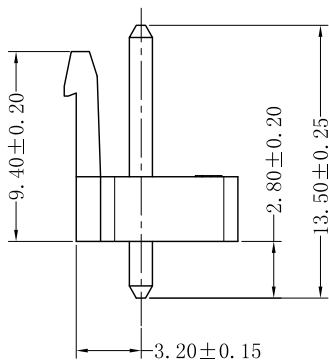
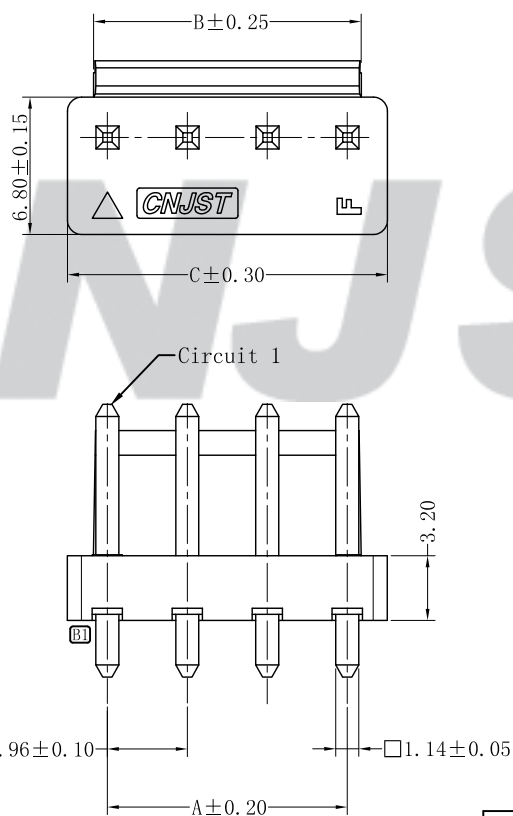
P=PE

PLATING: _____

A=Tin-plated



SUGGESTED PCB LAYOUT
(COMPONENT SIDE)



Circuits	Dimensions (mm)		
	A	B	C
02	3.96	5.34	7.94
03	7.92	9.30	11.90
04	11.88	13.26	15.86
05	15.84	17.22	19.82
06	19.80	21.18	23.78
07	23.76	25.14	27.74
08	27.72	29.10	31.70
09	31.68	33.06	35.66
10	35.64	37.02	39.62
11	39.60	40.98	43.58
12	43.56	44.94	47.54

UL/VDE P/N: A3962-nA

Tolerance X.X ±0.30 X.XX ±0.20 X.XXX ±0.10 Angle ±3.0°	CNJST 捷仕泰企业		Drawn: 王丽君 2022.07.07
	Model No.: A3962A-**-A5WA-P-D		Checked: 吴丹平
UNIT: mm	Model Name: 3.96mm PITCH 180° WAFER		Approved: 林旭芝
		SCALE: FULL	REVISION: C/0
			DWG NO. CNJST/GCCP-0109

REV.	DATE	DESCRIPTION	APPD.	NO.	DESCRIPTION	QTY	MATERIAL	PLATING/COLOR
C/0	2022.07.07	统一标准 更新模版	王丽君					
B/1	2021.08.27	脱料孔加胶优化, ECRJST2021014	徐广	②	Contacts	2~12	Brass	Tin-plated
B/0	2019.05.08	NEW RELEASE	徐广	①	Insulator	1	PA66 (UL94V-0)	White