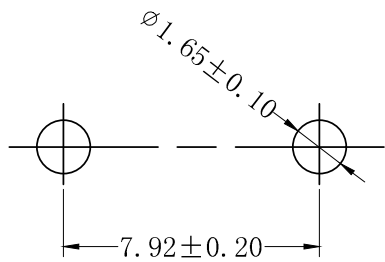
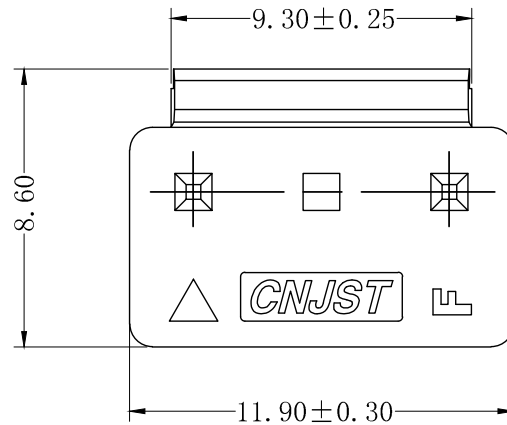


RoHS Compliant



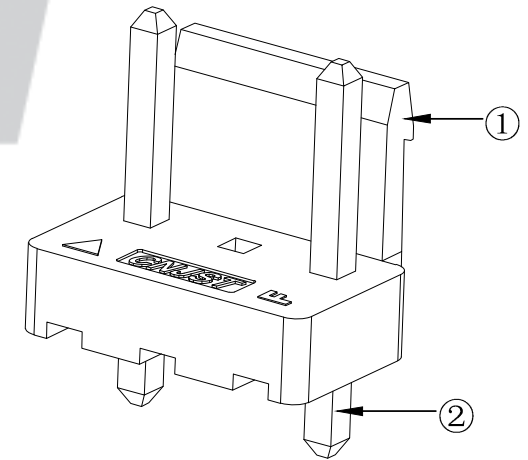
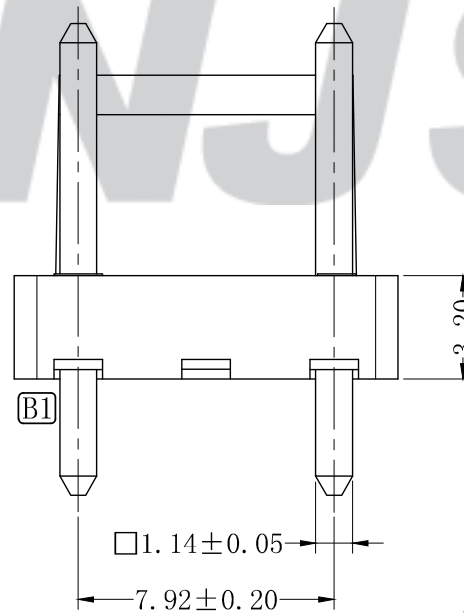
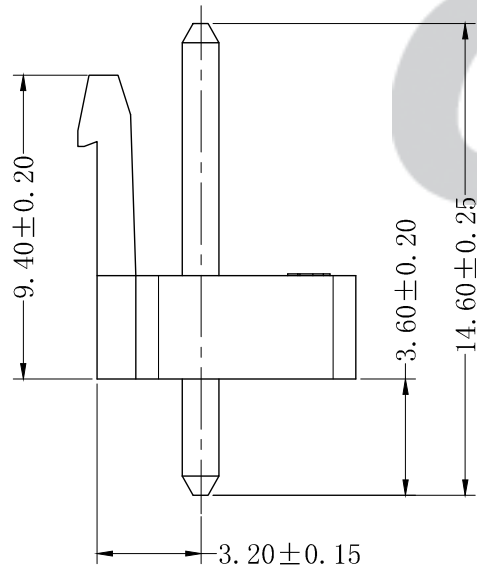
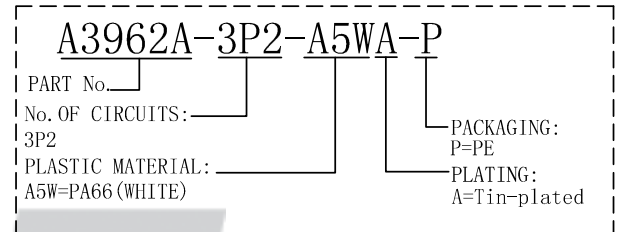
SUGGESTED PCB LAYOUT
(COMPONENT SIDE)



SPECIFICATION

- 1 Contact resistance: $\leq 10m\Omega$
- 2 Insulation resistance: $\geq 1000M\Omega$
- 3 Rated voltage: 250 V AC DC
- 4 Rated current: 7 A AC DC
- 5 Withstand Voltage: 1500V AC/minute
- 6 Temperature Range: $-25^{\circ}C \sim +85^{\circ}C$

ORDER INFORMATION:



UL/VDE P/N: A3962A-03

C/0	2022.07.07	统一标准 更新模版	王丽君					
B/1	2021.08.27	脱料孔加胶优化, ECRJST2021014	徐广	②	Contacts	2	Brass	Tin-plated
B/0	2019.05.08	NEW RELEASE	徐广	①	Insulator	1	PA66 (UL94V-0)	White
REV.	DATE	DESCRIPTION	APPD.	NO.	DESCRIPTION	QTY	MATERIAL	PLATING/COLOR

Tolerance	
X.X	± 0.30
X.XX	± 0.20
X.XXX	± 0.10
Angle	$\pm 3.0^{\circ}$

CNJST 捷仕泰企业		
Model No.: A3962A-3P2-A5WA-P		
Model Name: 3.96mm PITCH 180° WAFER		
UNIT: mm	SCALE: FULL	REVISION: C/0

Drawn: 王丽君 2022.07.07
Checked: 吴丹平
Approved: 林旭芝
DWG NO. CNJST/GCCP-0109