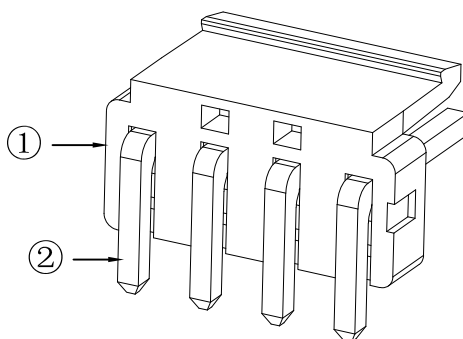
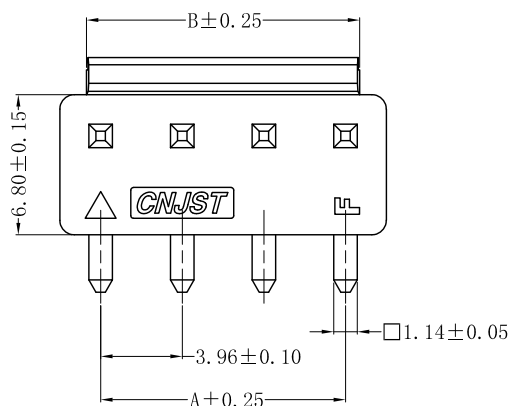


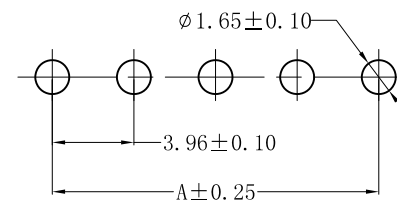
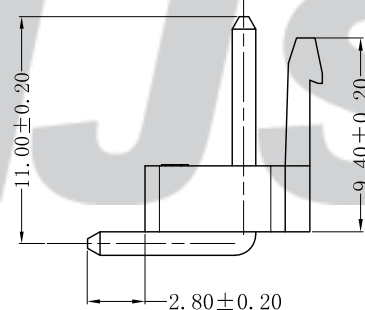
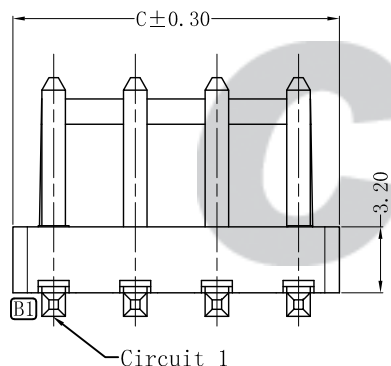
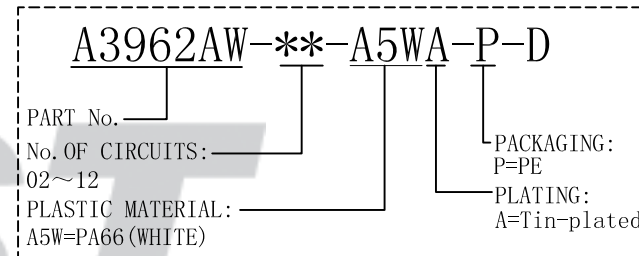
RoHS Compliant



SPECIFICATION

- 1 Contact resistance: $\leq 10\text{m}\Omega$
- 2 Insulation resistance: $\geq 1000\text{M}\Omega$
- 3 Rated voltage: 250 V AC DC
- 4 Rated current: 7 A AC DC
- 5 Withstand Voltage: 1500V AC/minute
- 6 Temperature Range: $-25^{\circ}\text{C} \sim +85^{\circ}\text{C}$

ORDER INFORMATION:



SUGGESTED PCB LAYOUT
(COMPONENT SIDE)

| Circuits | Dimensions (mm) | | | Circuits | Dimensions (mm) | | |
|----------|-----------------|-------|-------|----------|-----------------|-------|-------|
| | A | B | C | | A | B | C |
| 02 | 3.96 | 5.34 | 7.94 | 08 | 27.72 | 29.10 | 31.70 |
| 03 | 7.92 | 9.30 | 11.90 | 09 | 31.68 | 33.06 | 35.66 |
| 04 | 11.88 | 13.26 | 15.86 | 10 | 35.64 | 37.02 | 39.62 |
| 05 | 15.84 | 17.22 | 19.82 | 11 | 39.60 | 40.98 | 43.58 |
| 06 | 19.80 | 21.18 | 23.78 | 12 | 43.56 | 44.94 | 47.54 |
| 07 | 23.76 | 25.14 | 27.74 | | | | |

UL/VDE P/N: VH-nA

| | | | |
|--|------------------------------------|-------------|-------------------------|
| Tolerance X.X ±0.30 X.XX ±0.20 X.XXX ±0.10 Angle ±3.0° | CNJST 捷仕泰企业 | | Drawn: 王丽君 2022.07.08 |
| | Model No. : A3962AW-**-A5WA-P-D | | Checked: 吴丹平 |
| UNIT: mm | Model Name: 3.96mm PITCH 90° WAFER | | Approved: 林旭芝 |
| | | SCALE: FULL | REVISION: C/0 |
| | | | DWG NO. CNJST/GCCP-0110 |

| | | | | | | | | |
|------|------------|------------------------|-------|-----|-------------|------|----------------|---------------|
| C/O | 2022.07.08 | 统一标准 更新模版 | 王丽君 | | | | | |
| B/1 | 2021.08.27 | 脱料孔加胶优化, ECRJST2021014 | 徐广 | ② | Contacts | 2~12 | Brass | Tin-plated |
| B/0 | 2019.05.08 | NEW RELEASE | 徐广 | ① | Insulator | 1 | PA66 (UL94V-0) | White |
| REV. | DATE | DESCRIPTION | APPD. | NO. | DESCRIPTION | QTY | MATERIAL | PLATING/COLOR |