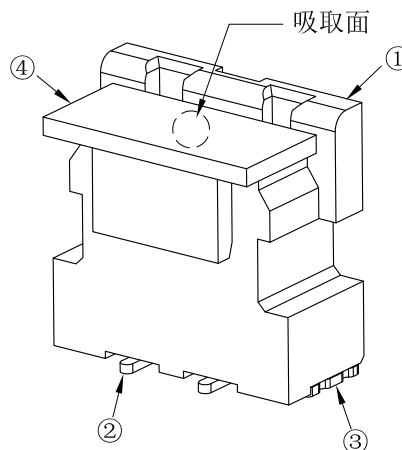
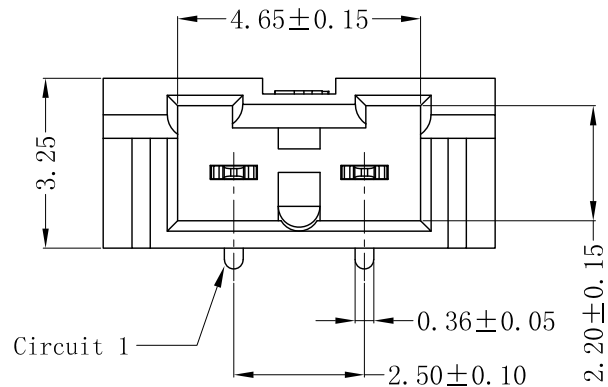


RoHS Compliant



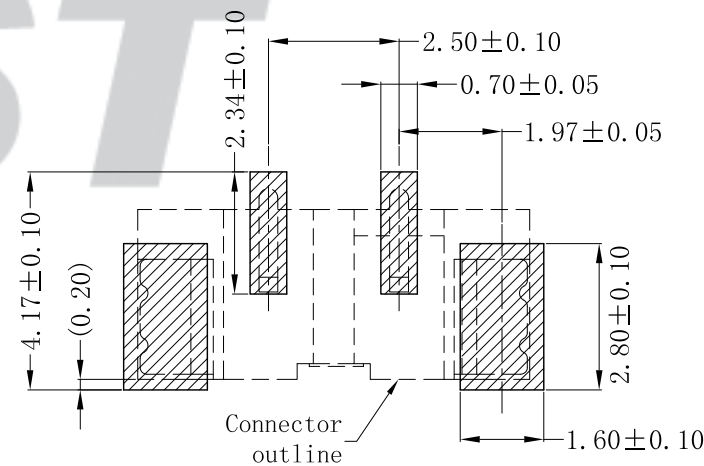
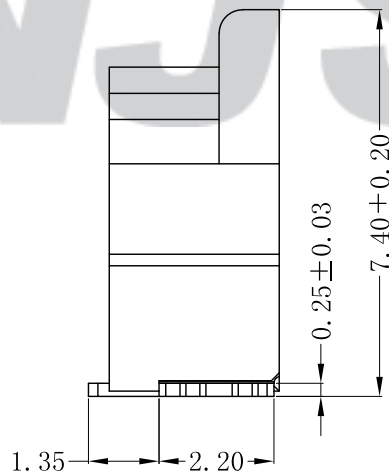
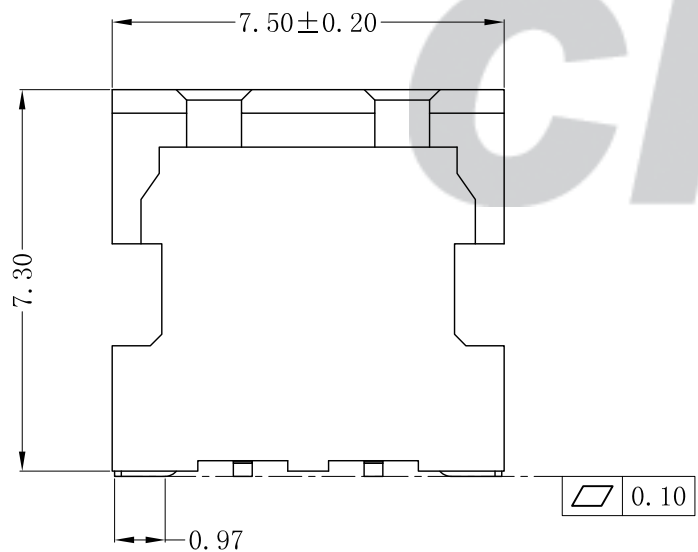
SPECIFICATION

- 1 Contact resistance: $\leq 20\text{m}\Omega$
- 2 Insulation resistance: $\geq 1000\text{M}\Omega$
- 3 Rated voltage: 250 V AC DC
- 4 Rated current: 3.0 A AC DC
- 5 Withstand Voltage: 1000V AC/minute
- 6 Temperature Range: $-25^{\circ}\text{C} \sim +85^{\circ}\text{C}$

ORDER INFORMATION:

A2512AWV-02-F2MA-R-X

PART No.:			
No. OF CIRCUITS:	02	PACKAGING:	R=Reel
PLASTIC MATERIAL:	F2M=LCP (Nature)	PLATING:	A=Tin-plated



SUGGESTED PCB LAYOUT
(COMPONENT SIDE)

专利产品

REV.	DATE	DESCRIPTION	APPD.	NO.	DESCRIPTION	QTY	MATERIAL	PLATING/COLOR	Tolerance	Model No.: A2512AWV-02-F2MA-R-X	Model Name: 2.50mm pitch 180° WAFER-SMT TYPE	SCALE: FULL	REVISION: C/0	DWG NO. CNJST/GCCP-0746
				④	Cap	1	LCP (UL94V-0)	Black	X.X ±0.30					
C/0	2022.09.30	统一标准, 更新模板	王程伟	③	Solder Tab	1	Brass	Tin-plated	X.XX ±0.20	Checked: 吴丹平				
B/1	2021.06.21	增加吸盘	邵小林	②	Contacts	2	Phosphor Bronze	Tin-plated	X.XXX ±0.10	Approved: 林旭芝				
B/0	2021.01.11	NEW RELEASE		①	Insulator	1	LCP (UL94V-0)	Nature	Angle ±3.0°					
									UNIT: mm					