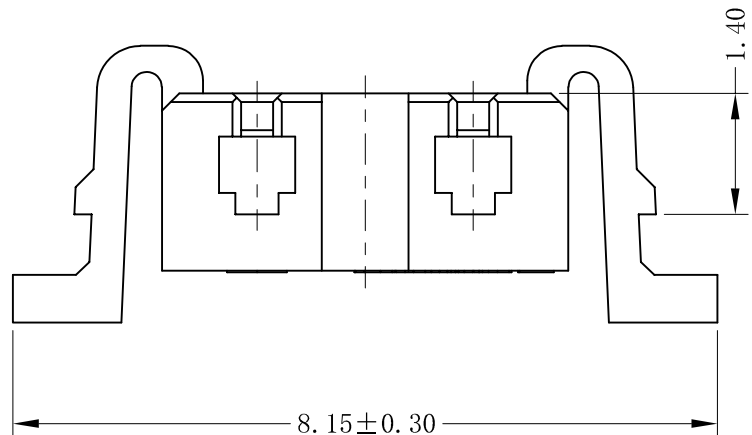


RoHS Compliant

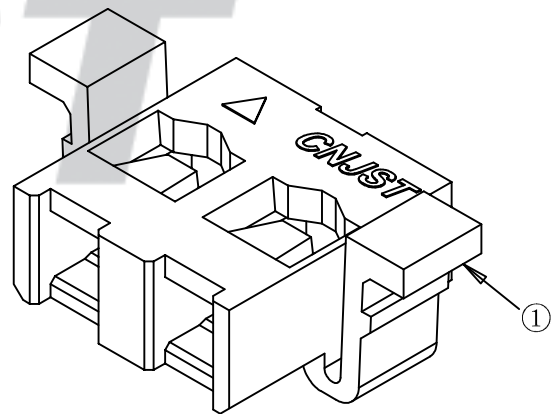
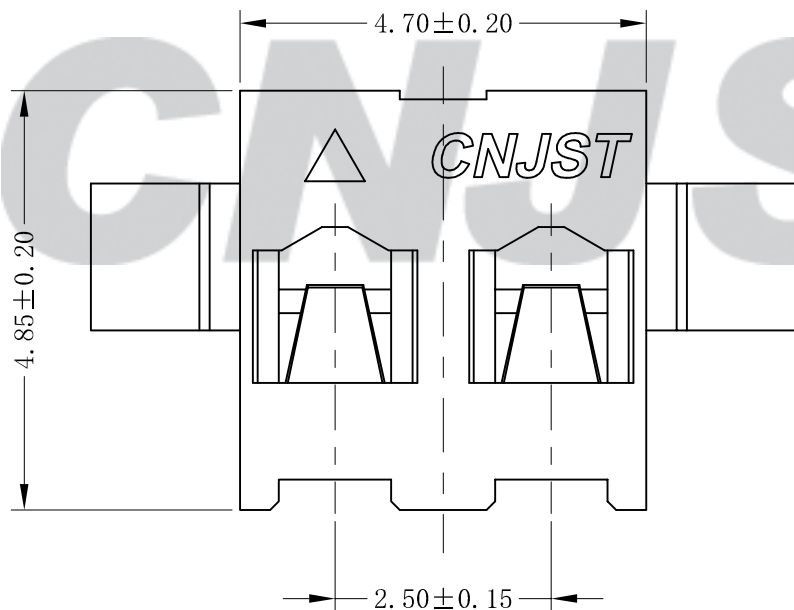
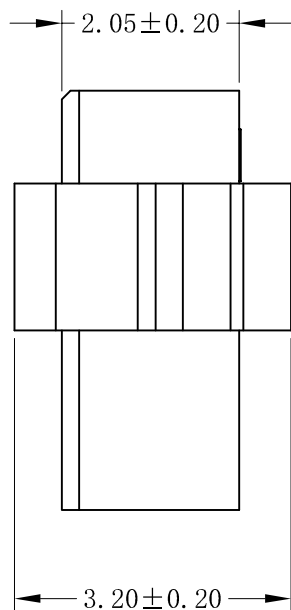


SPECIFICATION

- 1 Contact resistance: $\leq 30m\Omega$
- 2 Insulation resistance: $\geq 1000M\Omega$
- 3 Rated voltage: 250 V AC DC
- 4 Rated current: 1 A AC DC
- 5 Withstand Voltage: 1000V AC/minute
- 6 Temperature Range: $-25^{\circ}C \sim +85^{\circ}C$

ORDER INFORMATION:

A2509Y-02-A6W-P	
PART No.:	PACKAGING:
No. OF CIRCUITS:	P=PE
02	
PLASTIC MATERIAL:	
A6W=PA66	



专利产品

REV.	DATE	DESCRIPTION	APPD.	NO.	DESCRIPTION	QTY	MATERIAL	PLATING/COLOR
C/0	2022.12.07	统一标准 更新模版	黄羨程					
B/0	2018.02.02	NEW RELEASE	王炜彬	①	Insulator	1	PA66(UL94V-0)	White

Tolerance X.X ±0.30 X.XX ±0.20 X.XXX ±0.10 Angle ±3.0°	CNJST 捷仕泰企业		Drawn: 黄羨程 2022.12.07
	Model No.: A2509Y-02-A6W-P		Checked: 吴丹平
	Model Name: 2.50mm pitch HOUSING		Approved: 林旭芝
	UNIT: mm	SCALE: FULL	REVISION: C/0