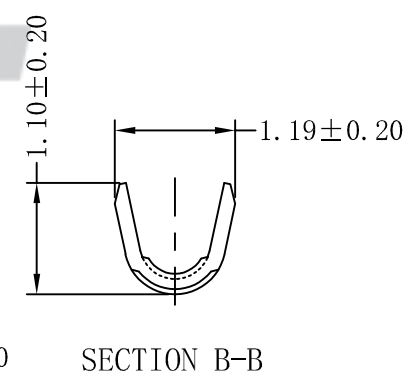
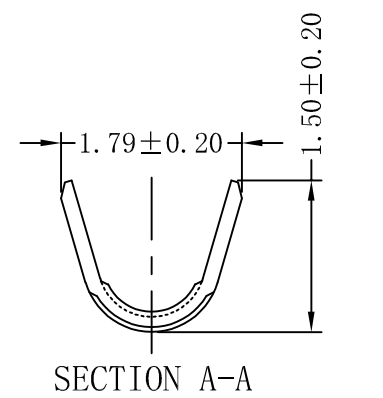
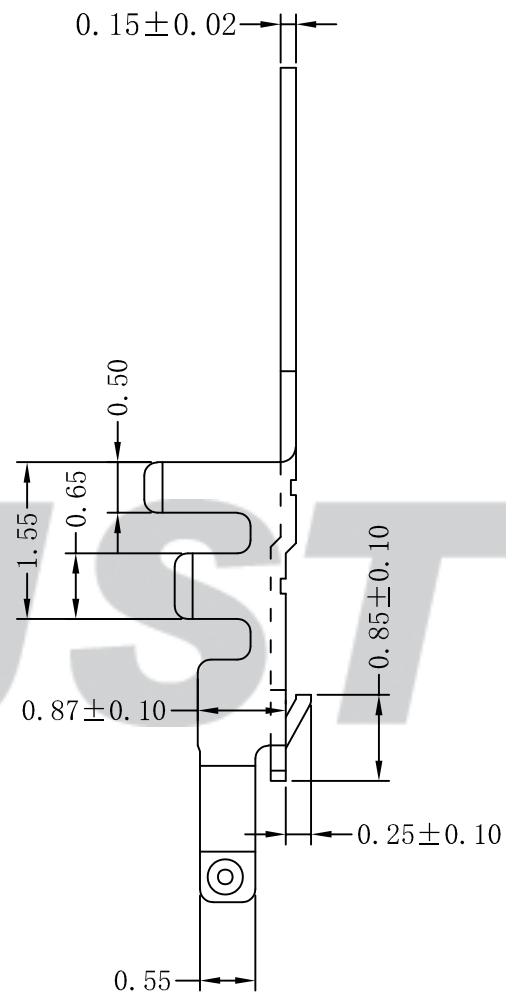
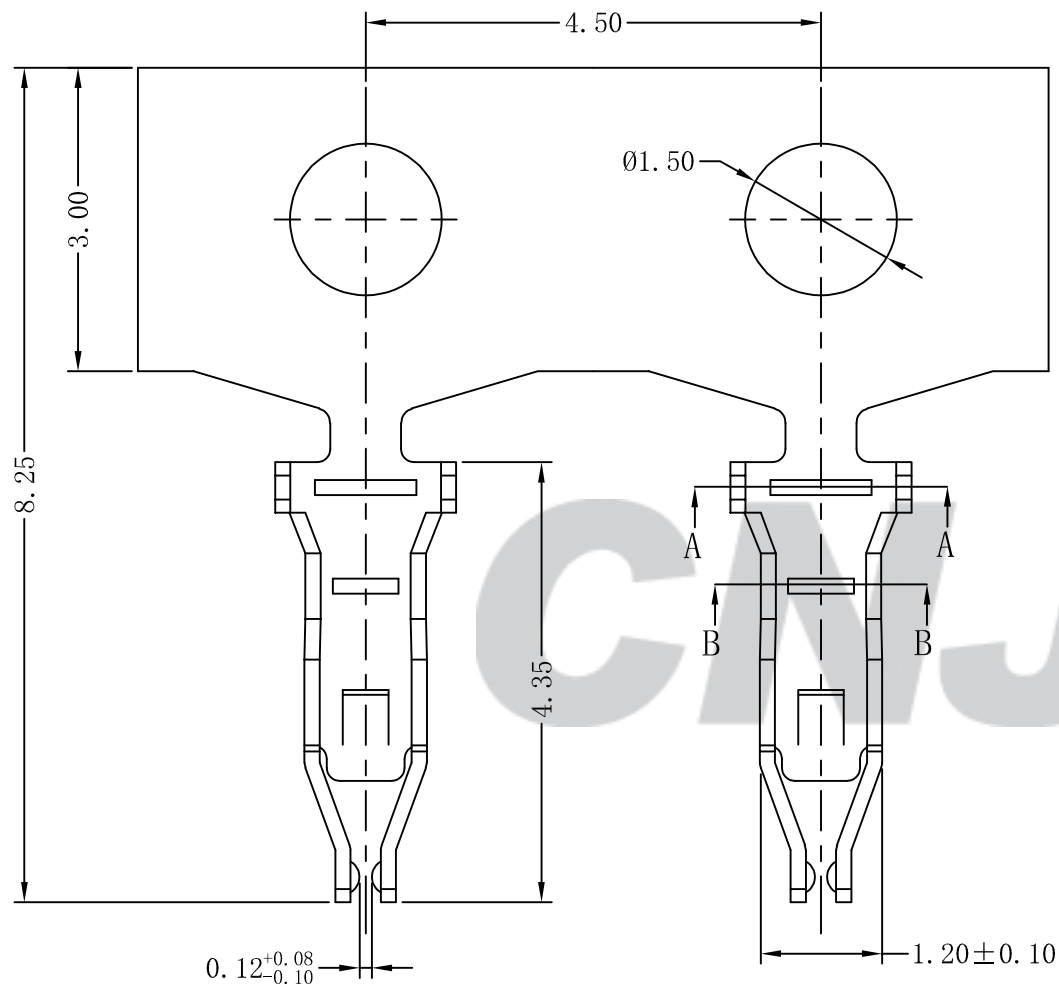


RoHS Compliant



专利产品

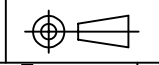
REV.	DATE	DESCRIPTION	APPD.	Wire Range	Insulation O.D.	QTY/Reel	Material	Plating
C/0	2022.12.07	更新模板	黄美程					
B/0	2018.02.02	NEW RELEASE	徐广	AWG #26~#28		15,000PCS	Phosphor Bronze	Tin-plated

Tolerance	X.X ±0.30
	X.XX ±0.20
	X.XXX ±0.10
Angle	±3.0°

CNJST 捷仕泰企业
Model No.: A2509T-PA-Z
Model Name: 2.5mm PITCH TERMINAL

Drawn: 黄美程 2022.12.07
Checked: 吴丹平
Approved: 林旭芝
DWG NO.: CNJST/GCDZ-0093

UNIT: mm



SCALE: FULL REVISION: C/0