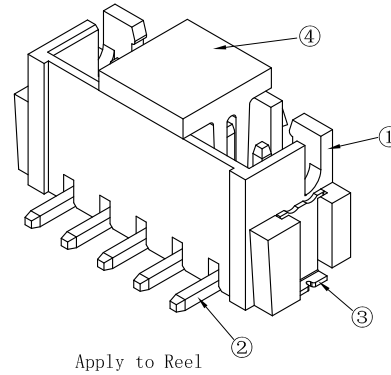
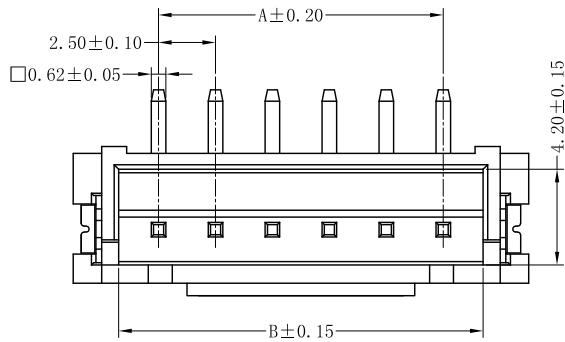


RoHS Compliant

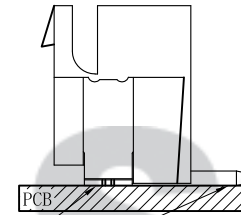
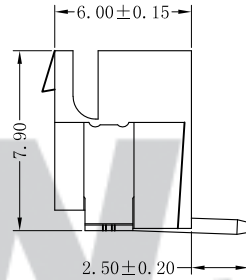
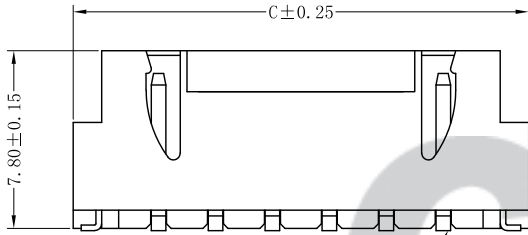


SPECIFICATION

- 1 Contact resistance: $\leq 20m\Omega$
- 2 Insulation resistance: $\geq 1000M\Omega$
- 3 Rated voltage: 250 V AC DC
- 4 Rated current: 3.0 A AC DC
- 5 Withstand Voltage: 1000V AC/minute
- 6 Temperature Range: $-25^{\circ}C \sim +85^{\circ}C$

ORDER INFORMATION:

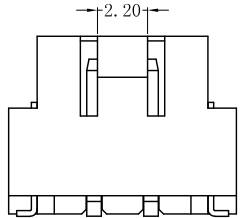
A2502AWV-**-F2MA-R-X			
PART No.			X=Cap
No. OF CIRCUITS:			PACKAGING:
02~15			R=Reel
PLASTIC MATERIAL:			PLATING:
F2M=LCP(Nature)			A=Tin-plated



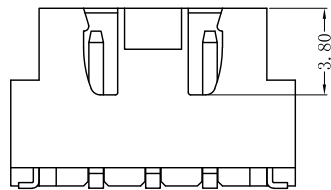
Circuit 1

产品平贴后PIN针、固定PIN
与焊接面间隙不大于0.1mm

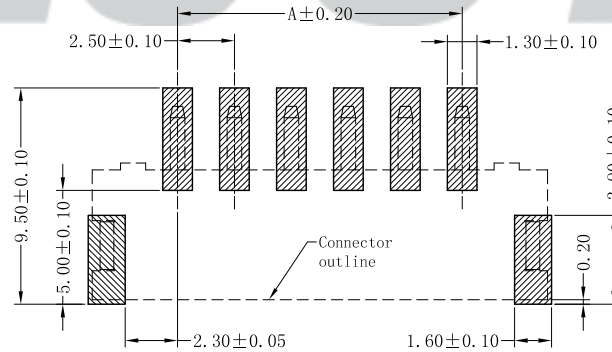
Circuits	Dimensions		
	A	B	C
02	2.50	6.00	10.00
03	5.00	8.50	12.50
04	7.50	11.00	15.00
05	10.00	13.50	17.50
06	12.50	16.00	20.00
07	15.00	18.50	22.50
08	17.50	21.00	25.00
09	20.00	23.50	27.50
10	22.50	26.00	30.00
11	25.00	28.50	32.50
12	27.50	31.00	35.00
13	30.00	33.50	37.50
14	32.50	36.00	40.00
15	35.00	38.50	42.50



2P



3P~5P



SUGGESTED PCB LAYOUT
(COMPONENT SIDE)

专利产品

				④	Cap	1	LCP(UL94V-0)	Nature	Tolerance X.X ±0.30 X.XX ±0.20 X.XXX ±0.10 Angle ±3.0°	CNJST 捷仕泰企业	Drawn: 王程伟 2022.07.30
C/0	2022.07.30	更新模板	王程伟	③	Solder Tab	2	Brass	Tin-Plated			Model No.: A2502AWV-**-F2MA-R-X
B/1	2022.04.19	详见ECR JST2022003	黄焱程	②	Contacts	2~15	Brass	Tin-Plated		Model Name: 2.50mm pitch 180° WAFER-SMT TYPE	Approved: 林旭芝
B/0	2020.01.11	NEW RELEASE		①	Insulator	1	LCP(UL94V-0)	Nature		UNIT: mm	SCALE: FULL REVISION: C/0
REV.	DATE	DESCRIPTION	APPD.	NO.	DESCRIPTION	QTY	MATERIAL	PLATING/COLOR			DWG NO. CNJST/GCCP-0362