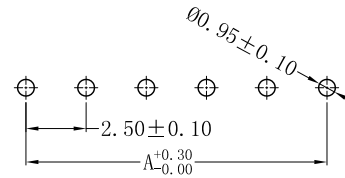
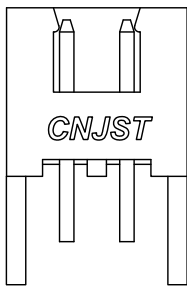
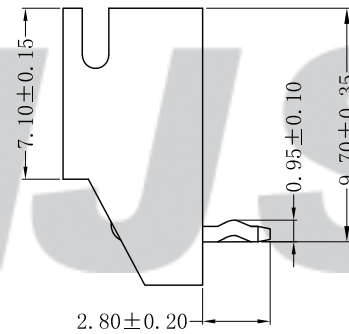
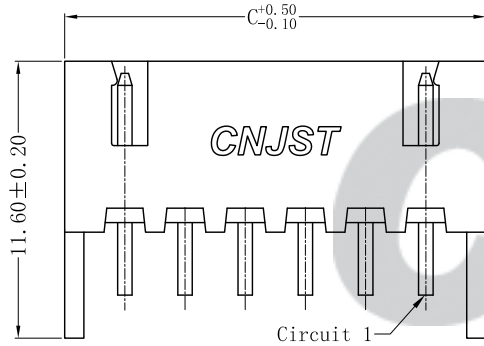
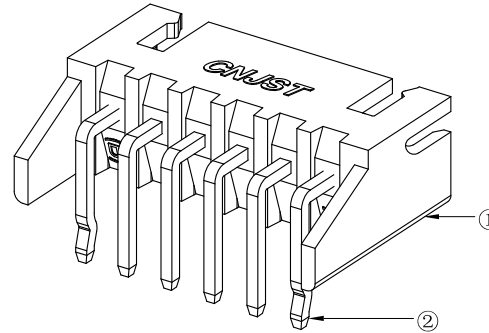
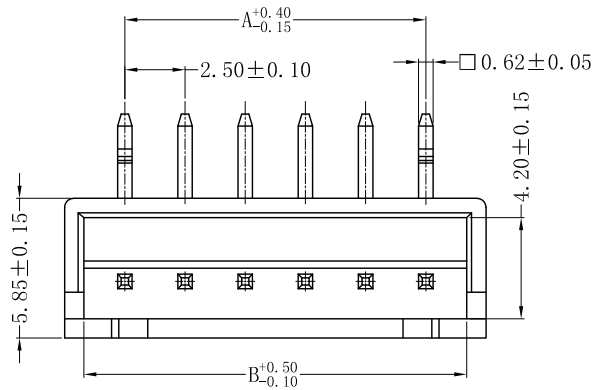


RoHS Compliant



SUGGESTED PCB LAYOUT  
(COMPONENT SIDE)

SPECIFICATION

- 1 Contact resistance:  $\leq 20m\Omega$
- 2 Insulation resistance:  $\geq 1000M\Omega$
- 3 Rated voltage: 250 V AC DC
- 4 Rated current: 3.0 A AC DC
- 5 Withstand Voltage: 1000V AC/minute
- 6 Temperature Range:  $-25^{\circ}C \sim +85^{\circ}C$

ORDER INFORMATION:

<b>A2501AWD-**-A1MA-P-D</b>			
PART No.			
No. OF CIRCUITS: 02~16		PACKAGING: P=PE	
PLASTIC MATERIAL: A1M=PA66 (Nature)		PLATING: A=Tin-plated	

Circuits	Dimensions (mm)		
	A	B	C
02	2.50	6.00	7.50
03	5.00	8.50	10.00
04	7.50	11.00	12.50
05	10.00	13.50	15.00
06	12.50	16.00	17.50
07	15.00	18.50	20.00
08	17.50	21.00	22.50
09	20.00	23.50	25.00
10	22.50	26.00	27.50
11	25.00	28.50	30.00
12	27.50	31.00	32.50
13	30.00	33.50	35.00
14	32.50	36.00	37.50
15	35.00	38.50	40.00
16	37.50	41.00	42.50

							Tolerance X.X ±0.30 X.XX ±0.20 X.XXX ±0.10 Angle ±3.0°	<b>CNJST</b> 捷仕泰企业	Drawn: <b>王程伟</b> 2022.07.25	
C/0	2022.07.25	统一标准, 更新模板	王程伟	②	Contacts	2~16	Brass		Tin-plated	Checked: <b>吴丹平</b>
B/0	2022.07.18	NEW RELEASE		①	Insulator	1	PA66 (UL94V-0)	Nature	Approved: <b>林旭芝</b>	
REV.	DATE	DESCRIPTION	APPD.	NO.	DESCRIPTION	QTY	MATERIAL	PLATING/COLOR	UNIT: mm	DWG NO. CNJST/GCCP-0071