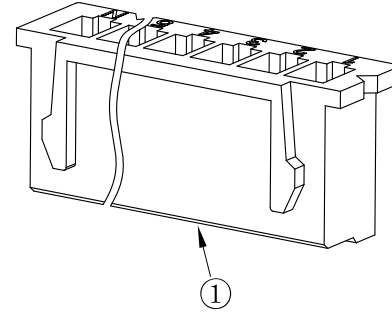
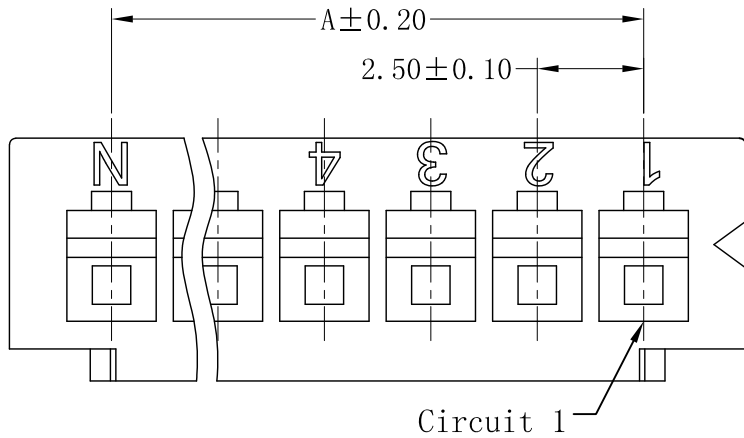


RoHS Compliant

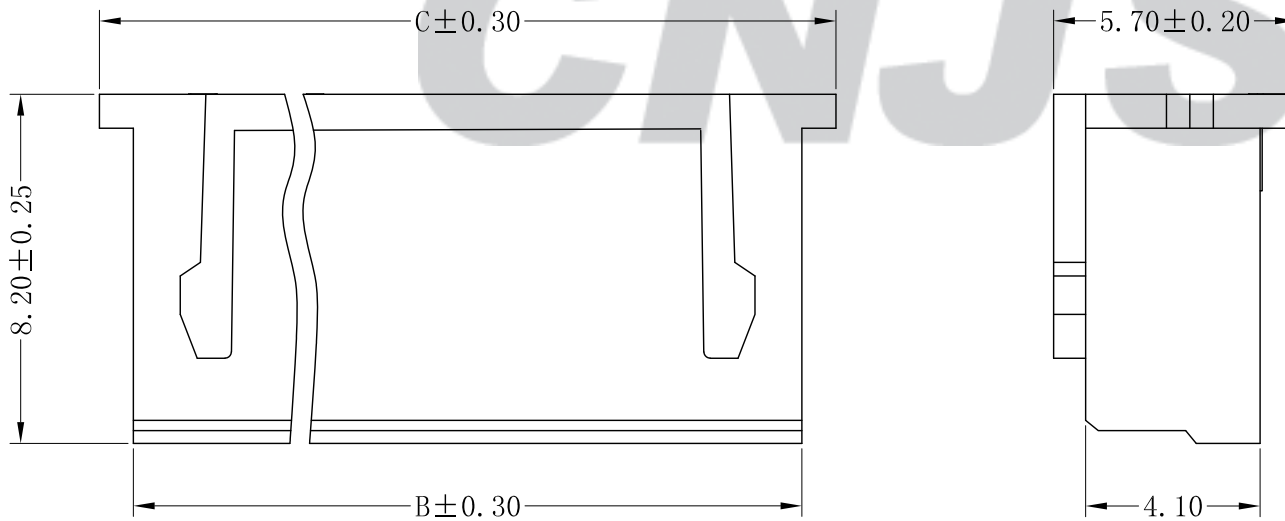


SPECIFICATION

- 1 Contact resistance: $\leq 20m\Omega$
- 2 Insulation resistance: $\geq 1000M\Omega$
- 3 Rated voltage: 250 V AC DC
- 4 Rated current: 3.0 A AC DC
- 5 Withstand Voltage: 1000V AC/minute
- 6 Temperature Range: $-25^{\circ}C \sim +85^{\circ}C$

ORDER INFORMATION:

A2501Y-**-A6W-P	
PART No.:	PACKAGING:
No. OF CIRCUITS:	P=PE
02~16	PLASTIC MATERIAL:
	A6W=PA66 (WHITE)



Circuits	Dimensions (mm)		
	A	B	C
02	2.50	5.70	7.30
03	5.00	8.20	9.80
04	7.50	10.70	12.30
05	10.00	13.20	14.80
06	12.50	15.70	17.40
07	15.00	18.20	19.80
08	17.50	20.70	22.30
09	20.00	23.20	24.80
10	22.50	25.70	27.30
11	25.00	28.20	29.80
12	27.50	30.70	32.30
13	30.00	33.20	34.80
14	32.50	35.70	37.30
15	35.00	38.20	39.80
16	37.50	40.70	42.30

CNJST

Tolerance
X.X ± 0.30
X.XX ± 0.20
X.XXX ± 0.10
Angle ± 3.0°

CNJST 捷仕泰企业

Drawn: 王程伟 2022.07.25

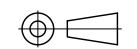
Model No.: A2501Y-**-A6W-P

Checked: 吴丹平

Model Name: 2.50mm PITCH HOUSING

Approved: 林旭芝

UNIT: mm



SCALE: FULL

REVISION: C/0

DWG NO. CNJST/GCCP-0073

REV.	DATE	DESCRIPTION	APPD.	NO.	DESCRIPTION	QTY	MATERIAL	PLATING/COLOR
C/0	2022.07.25	更新模板	王程伟					
B/0	2019.07.26	NEW RELEASE		①	Insulator	1	PA66 (UL94V-0)	White