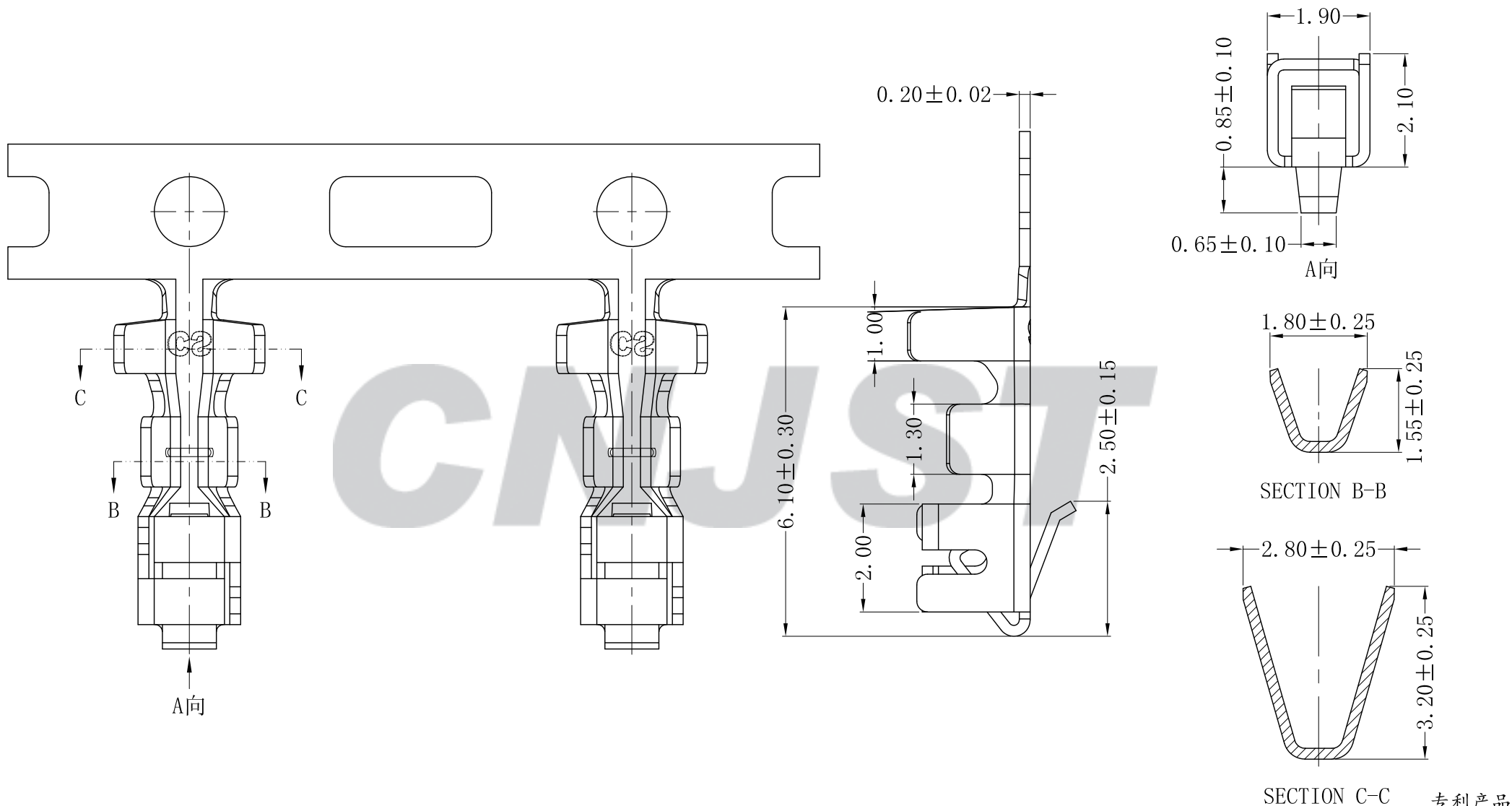


RoHS Compliant



SECTION C-C 专利产品

										Tolerance		CNJST 捷仕泰企业		Drawn: 王程伟 2022.11.14	
										X.X ±0.30				Model No.: A2501T-PA-Z	
										X.XX ±0.20		Model Name: 2.50mm PITCH CRIMP TERMINAL		Approved: 林旭芝	
										X.XXX ±0.10		UNIT: mm		SCALE: FULL REVISION: C/0	
										Angle ±3.0°					
C/0	2022.11.14	更新图框	王程伟												
B/1	2018.01.20	NEW RELEASE		AWG #22~#28	1.90mm (Max)	7,000PCS	Phosphor Bronze	Tin-plated							
REV.	DATE	DESCRIPTION	APPD.	Wire Range	Insulation O.D.	QTY/Reel	Material	Plating							