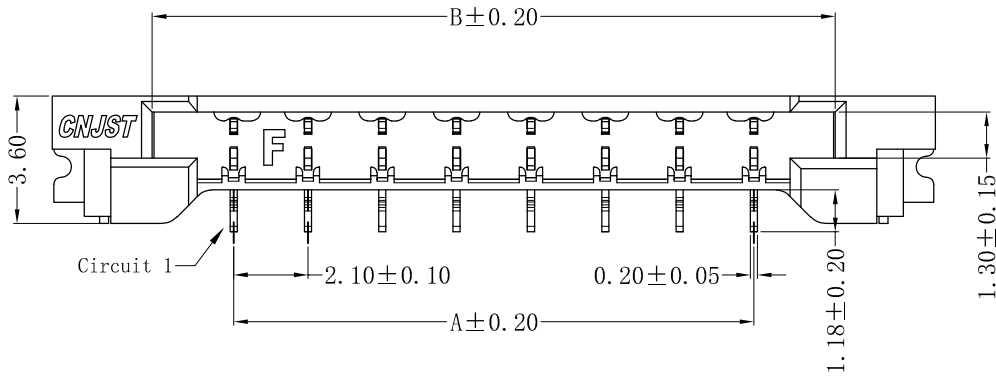


RoHS Compliant

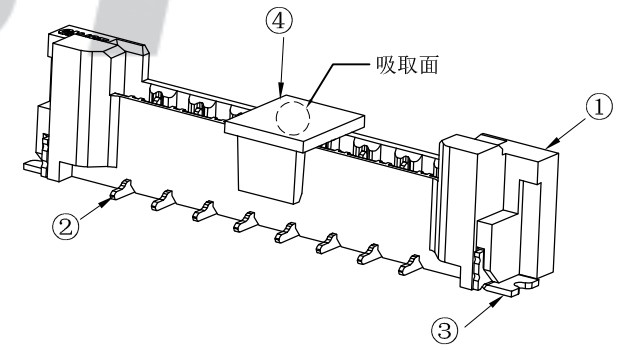
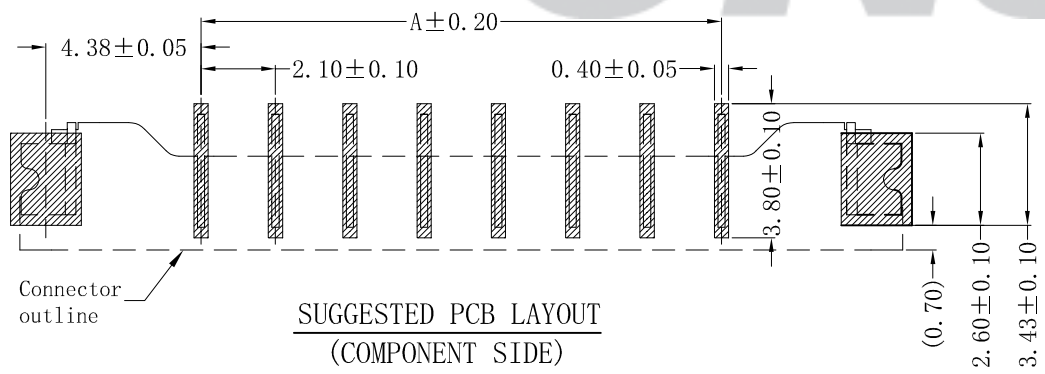
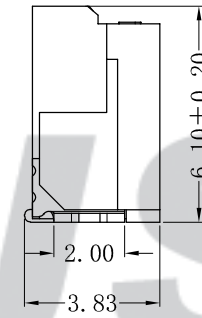
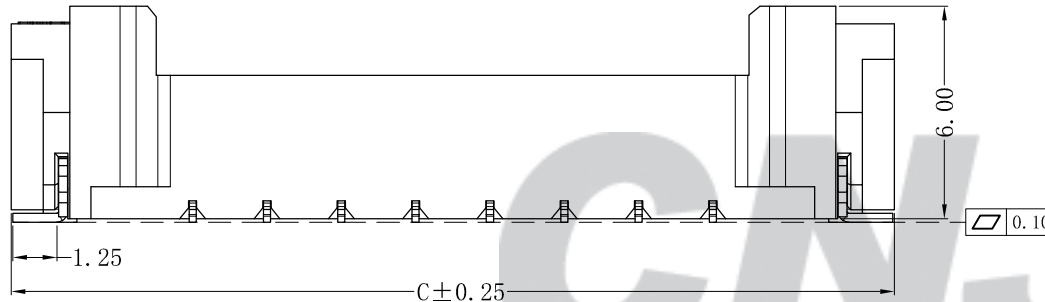
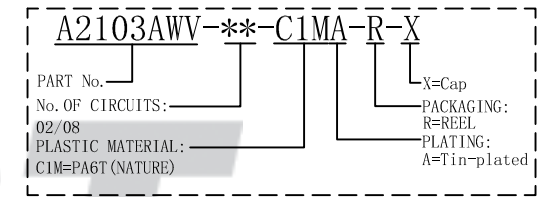


Circuit No.	Dimensions		
	A	B	C
02	2.10	6.70	12.35
08	14.70	19.30	24.95

SPECIFICATION

- Contact resistance:  $\leq 10m\Omega$
- Insulation resistance:  $\geq 1000M\Omega$
- Rated voltage: 250 V AC DC
- Rated current: 2.0 A AC DC
- Withstand Voltage: 800V AC/minute
- Temperature Range:  $-25^{\circ}C \sim +85^{\circ}C$

ORDER INFORMATION:



专利产品

REV.	DATE	DESCRIPTION	APPD.	NO.	DESCRIPTION	QTY	MATERIAL	PLATING/COLOR
C/0	2022.12.05	统一标准 更新模版	黄美程	④	Cap	1	LCP(UL94V-0)	Black
B/1	2021.06.21	增加吸盘	徐广	③	Solder Tab	2	Brass	Tin-plated
B/0	2021.04.22	NEW RELEASE	徐广	②	Contacts	2/8	Phosphor Bronze	Tin-plated
				①	Insulator	1	PA6T(UL94V-0)	Nature

Tolerance	X.X ±0.30
	X.XX ±0.20
	X.XXX ±0.10
Angle	±3.0°
UNIT:	mm

**CNJST 捷仕泰企业**

Model No.: A2103AWV-\*\*-C1MA-R-X

Model Name: 2.10mm PITCH 180° WAFER-SMT TYPE

SCALE: FULL

REVISION: C/0

Drawn: 黄美程 2022.12.05
Checked: 吴丹平
Approved: 林旭芝
DWG NO. CNJST/GCCP-0743