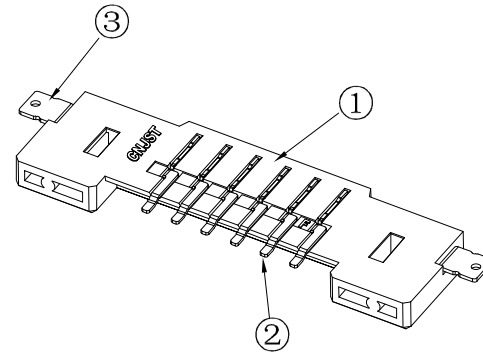
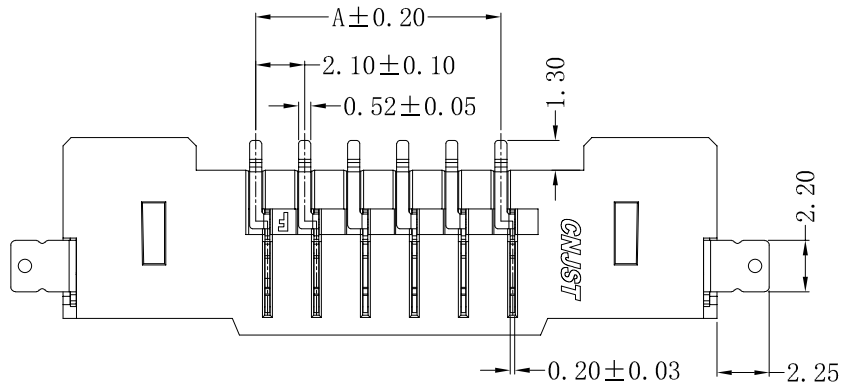


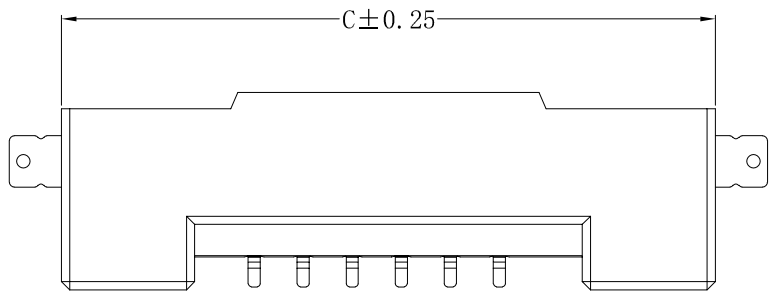
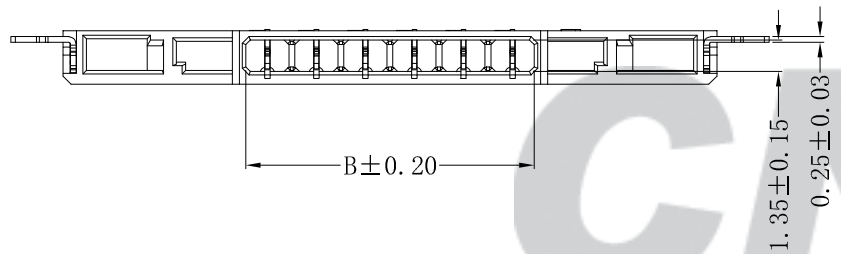
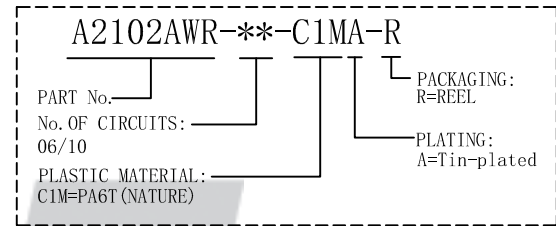
RoHS Compliant



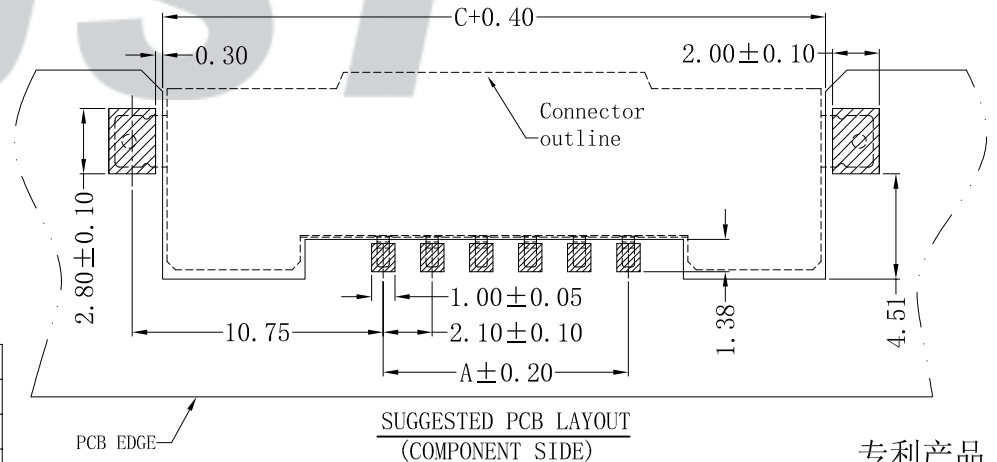
**SPECIFICATION**

- 1 Contact resistance:  $\leq 10m\Omega$
- 2 Insulation resistance:  $\geq 1000M\Omega$
- 3 Rated voltage: 250 V AC DC
- 4 Rated current: 2.0 A AC DC
- 5 Withstand Voltage: 800V AC/minute
- 6 Temperature Range:  $-25 \sim +85^{\circ}C$

**ORDER INFORMATION:**



Circuit No.	Dimensions		
	A	B	C
06	10.50	12.35	28.00
10	18.90	20.75	36.40



**SUGGESTED PCB LAYOUT**  
(COMPONENT SIDE)

专利产品

REV.	DATE	DESCRIPTION	APPD.	NO.	DESCRIPTION	QTY	MATERIAL	PLATING/COLOR
C/O	2022.12.05	统一标准 更新模版	黄美程	③	Solder Tab	2	Brass	Tin-plated
B/O	2021.04.07	NEW RELEASE	徐广	②	Contacts	6~10	Phosphor Bronze	Tin-plated
				①	Insulator	1	PA6T (UL94V-0)	Nature

Tolerance	X.X ± 0.30
	X.XX ± 0.20
	X.XXX ± 0.10
Angle	± 3.0°
UNIT:	mm

**CNJST 捷仕泰企业**

Model No.: A2102AWR-\*\*-C1MA-R

Model Name: 2.10mm pitch 90° WAFER-SMT TYPE

SCALE: FULL

REVISION: C/0

Drawn:	黄美程 2022.12.05
Checked:	吴丹平
Approved:	林旭芝
DWG NO.:	CNJST/GCCP-0755