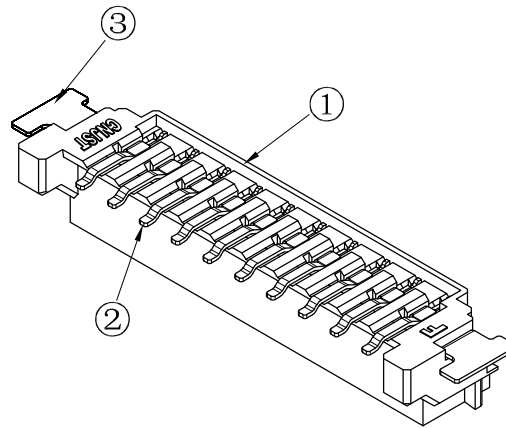
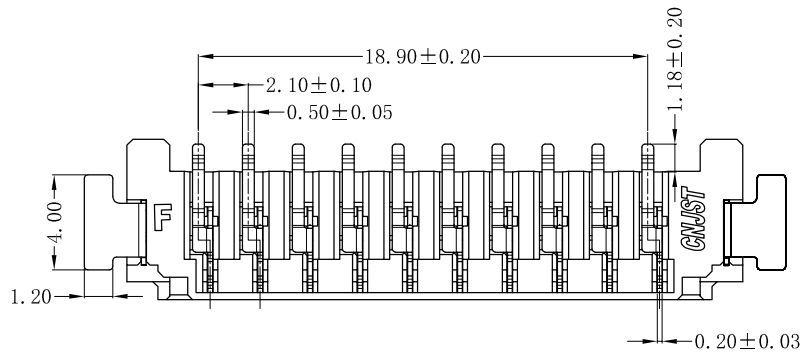


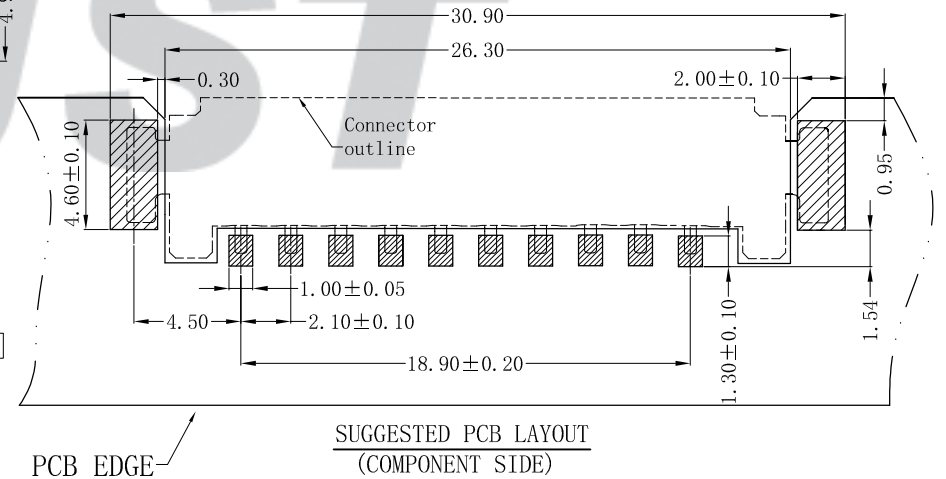
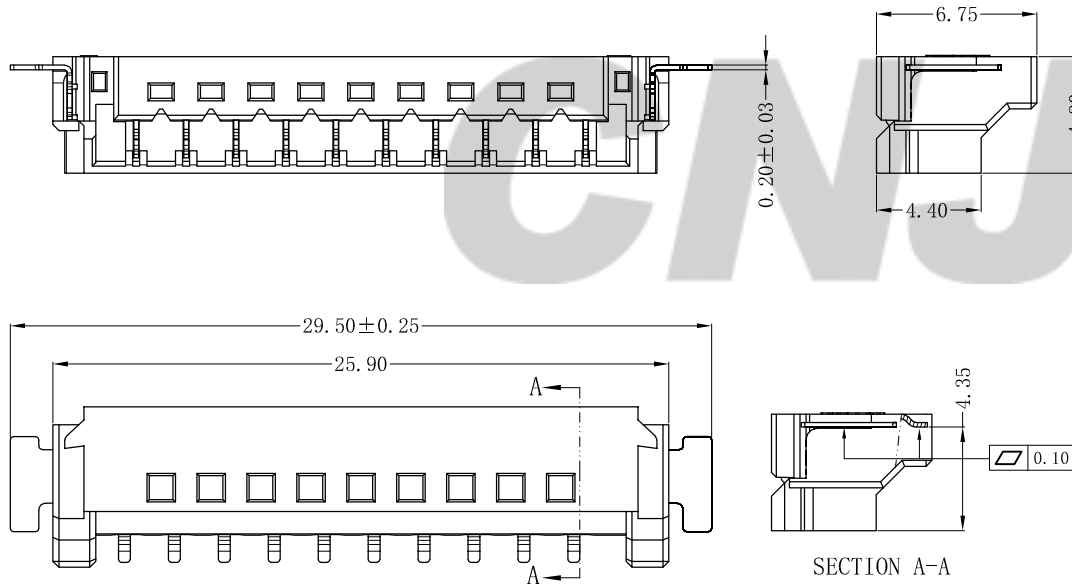
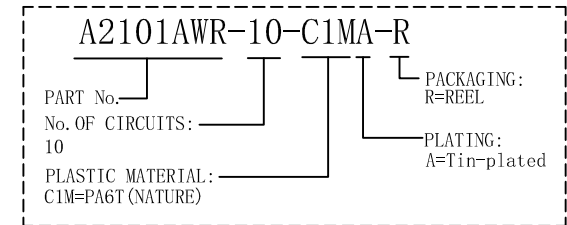
RoHS Compliant



SPECIFICATION

- 1 Contact resistance: $\leq 10m\Omega$
- 2 Insulation resistance: $\geq 1000M\Omega$
- 3 Rated voltage: 250 V AC DC
- 4 Rated current: 2.0 A AC DC
- 5 Withstand Voltage: 800V AC/minute
- 6 Temperature Range: $-25^{\circ}C \sim +85^{\circ}C$

ORDER INFORMATION:



专利产品

REV.	DATE	DESCRIPTION	APPD.	NO.	DESCRIPTION	QTY	MATERIAL	PLATING/COLOR
C/O	2022.12.05	统一标准 更新模版	黄羨程	③	Solder Tab	2	Brass	Tin-plated
B/O	2021.06.28	NEW RELEASE	黄羨程	②	Contacts	10	Phosphor Bronze	Tin-plated
				①	Insulator	1	PA6T (UL94V-0)	Nature

Tolerance	X.X ± 0.30
	X.XX ± 0.20
	X.XXX ± 0.10
Angle	$\pm 3.0^{\circ}$
UNIT:	mm

CNJST 捷仕泰企业	
Model No.: A2101AWR-10-C1MA-R	
Model Name: 2.10mm pitch 90° WAFER-SMT TYPE	
	SCALE: FULL
	REVISION: C/O

Drawn: 黄羨程 2022.12.05
Checked: 吴丹平
Approved: 林旭芝
DWG NO.: CNJST/GCCP-0744