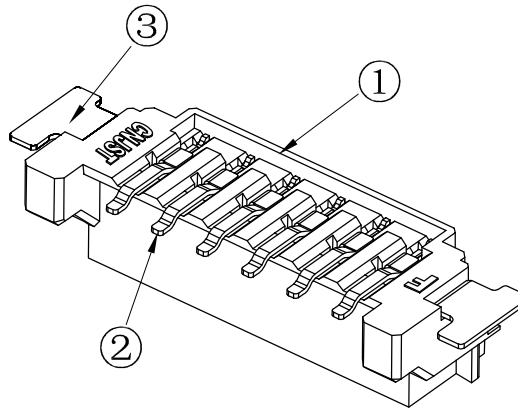
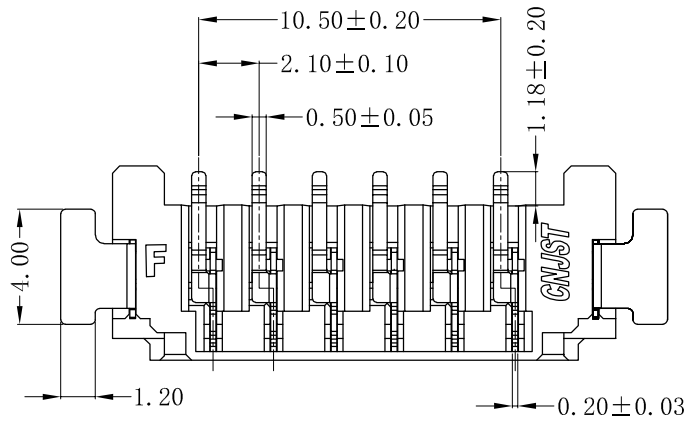


RoHS Compliant

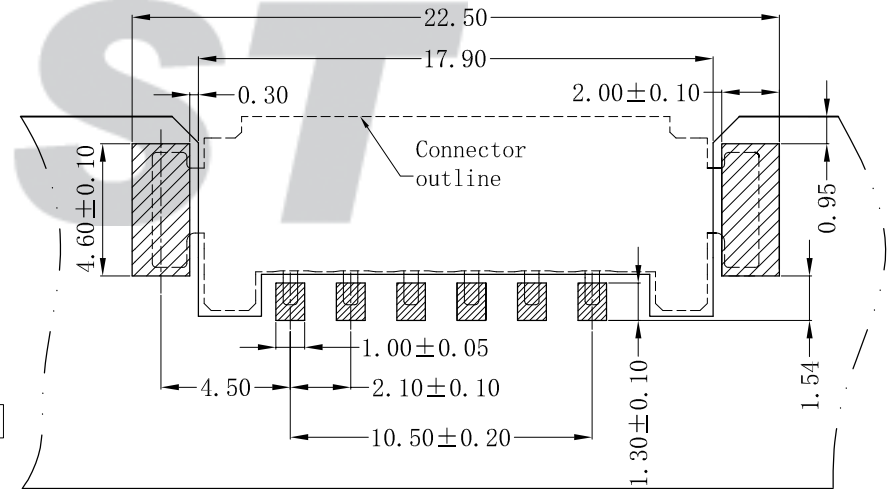
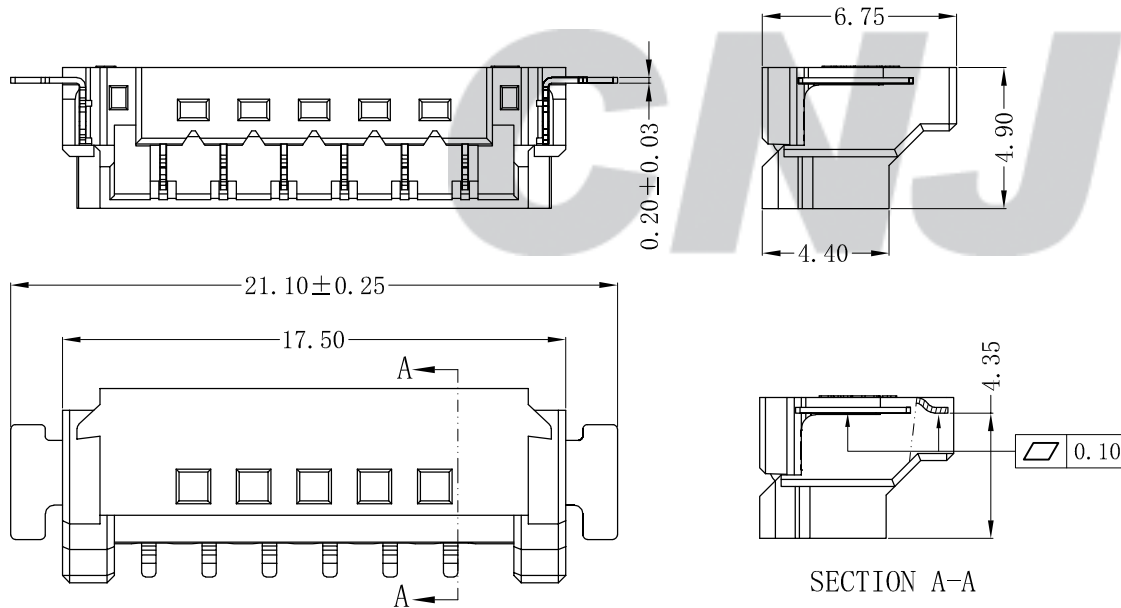


SPECIFICATION

- 1 Contact resistance: $\leq 10\text{m}\Omega$
- 2 Insulation resistance: $\geq 1000\text{M}\Omega$
- 3 Rated voltage: 250 V AC DC
- 4 Rated current: 2.0 A AC DC
- 5 Withstand Voltage: 800V AC/minute
- 6 Temperature Range: $-25^{\circ}\text{C} \sim +85^{\circ}\text{C}$

ORDER INFORMATION:

A2101AWR-06-C1MA-R	
PART No.:	PACKAGING: R=REEL
No. OF CIRCUITS: 06	PLATING: A=Tin-plated
PLASTIC MATERIAL: C1M=PA6T (NATURE)	



PCB EDGE SUGGESTED PCB LAYOUT
(COMPONENT SIDE)

专利产品

REV.	DATE	DESCRIPTION	APPD.	NO.	DESCRIPTION	QTY	MATERIAL	PLATING/COLOR
C/0	2022.12.05	统一标准 更新模版	黄羨程	③	Solder Tab	2	Brass	Tin-plated
B/0	2021.03.30	NEW RELEASE	黄羨程	②	Contacts	6	Phosphor Bronze	Tin-plated
				①	Insulator	1	PA6T (UL94V-0)	Nature

Tolerance	X.X ±0.30
	X.XX ±0.20
	X.XXX ±0.10
Angle	±3.0°
UNIT:	mm

CNJST 捷仕泰企业	
Model No.: A2101AWR-06-C1MA-R	
Model Name: 2.10mm pitch 90° WAFER-SMT TYPE	
	SCALE: FULL
	REVISION: C/0

Drawn: 黄羨程 2022.12.05
Checked: 吴丹平
Approved: 林旭芝
DWG NO.: CNJST/GCCP-0744