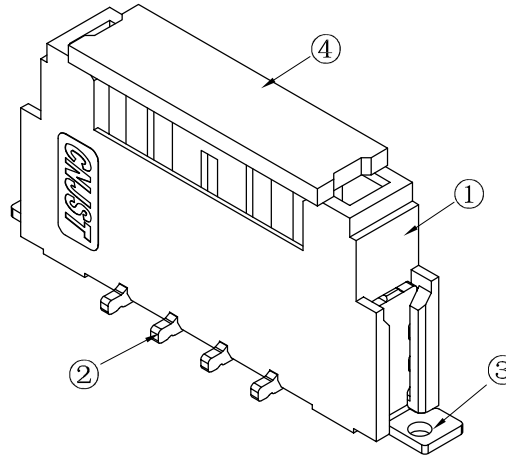
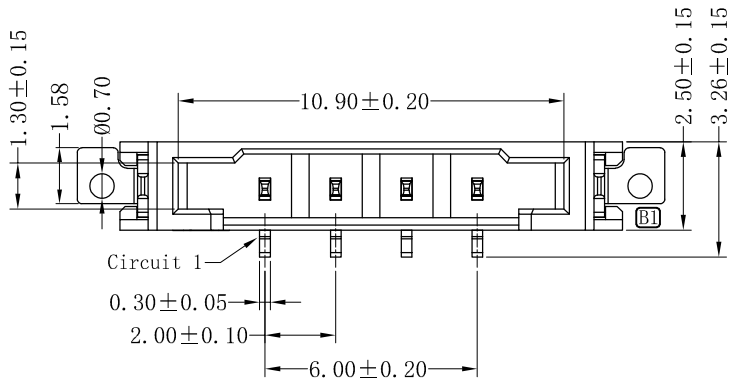


RoHS Compliant



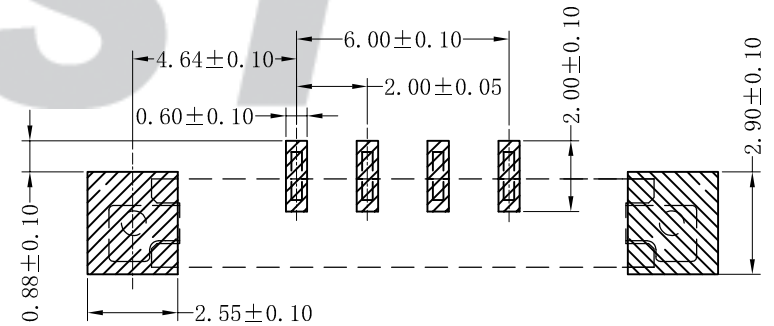
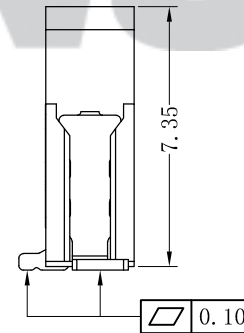
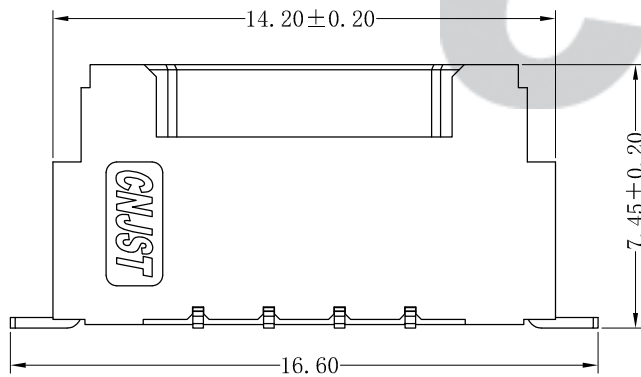
SPECIFICATION

- 1 Contact resistance:  $\leq 10m\Omega$
- 2 Insulation resistance:  $\geq 1000M\Omega$
- 3 Rated voltage: 250 V AC DC
- 4 Rated current: 2.0 A AC DC
- 5 Withstand Voltage: 800V AC/minute
- 6 Temperature Range:  $-25^{\circ}C \sim +85^{\circ}C$

ORDER INFORMATION:

**A2015AWV-04-F2MB-R-X**

PART No. \_\_\_\_\_ X=Cap  
 No. OF CIRCUITS: \_\_\_\_\_ PACKAGING: R=REEL  
 04 \_\_\_\_\_ PLATING: B=Matte Sn  
 PLASTIC MATERIAL: \_\_\_\_\_  
 F2M=LCP (Nature)



SUGGESTED PCB LAYOUT  
(COMPONENT SIDE)

专利产品

REV.	DATE	DESCRIPTION	APPD.	NO.	DESCRIPTION	QTY	MATERIAL	PLATING/COLOR
				④	Cap	1	LCP(UL94V-0)	Black
C/0	2022.11.30	统一标准 更新模版	黄美程	③	Solder Tab	2	Brass	Matte Sn
B/1	2021.10.29	优化贴平度及吃锡能力 详见ECN2021048	王丽君	②	Contacts	4	Phosphor Bronze	Matte Sn
B/0	2020.10.05	NEW RELEASE	徐广	①	Insulator	1	LCP(UL94V-0)	Nature

Tolerance	X.X ±0.30
	X.XX ±0.20
	X.XXX ±0.10
Angle	±3.0°
UNIT:	mm

**CNJST 捷仕泰企业**

Model No.: A2015AWV-04-F2MB-R-X

Model Name: 2.00mm PITCH 180° WAFER-SMT TYPE

SCALE: FULL

REVISION: C/0

Drawn:	黄美程 2022.11.30
Checked:	吴丹平
Approved:	林旭芝
DWG NO.	CNJST/GCCP-0711