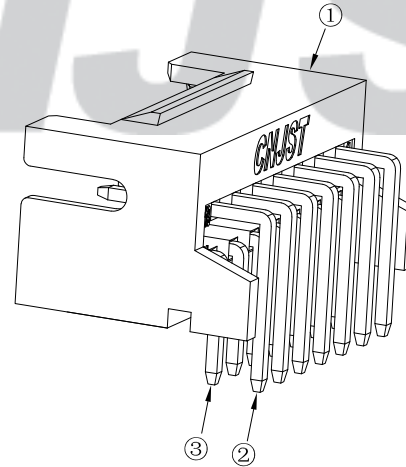
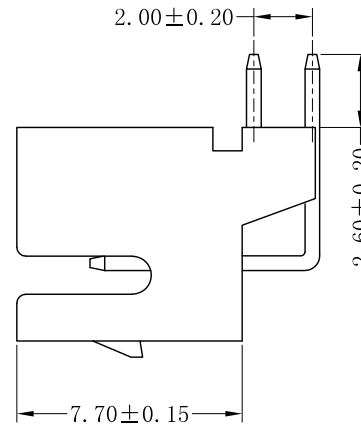
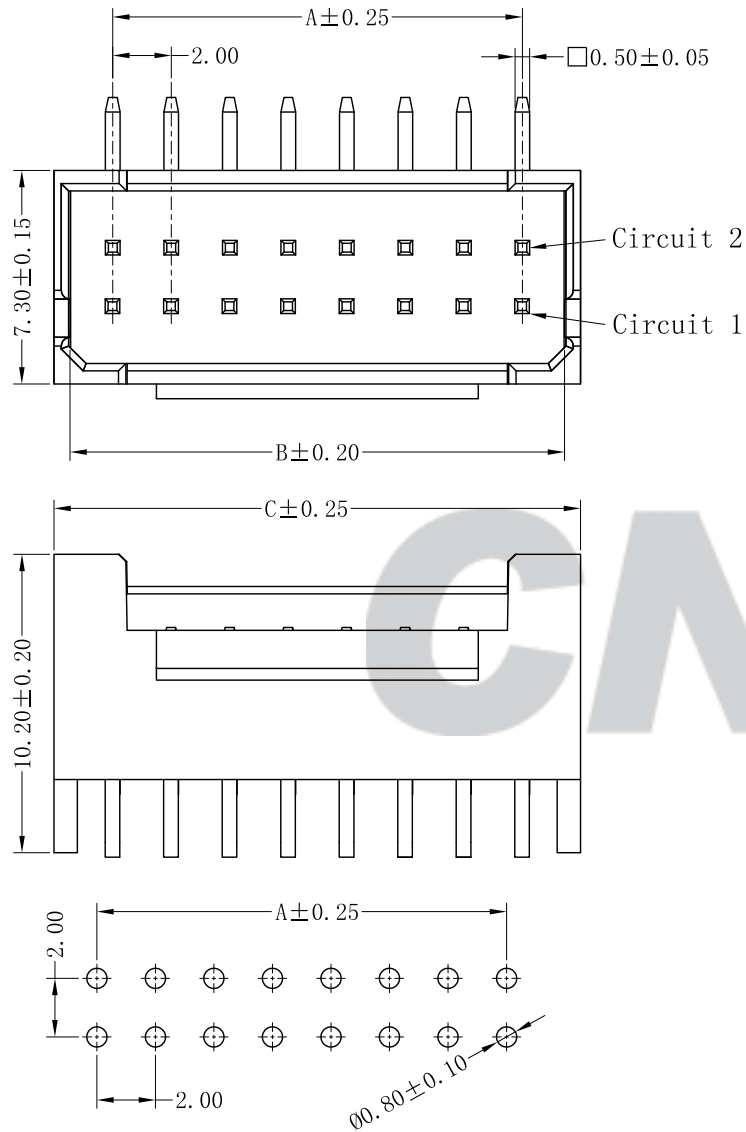


RoHS Compliant



SPECIFICATION

- Contact resistance: $\leq 30m\Omega$
- Insulation resistance: $\geq 1000M\Omega$
- Rated voltage: 250 V AC DC
- Rated current: 3.0 A AC DC
- Withstand Voltage: 1000V AC/minute
- Temperature Range: $-25^{\circ}C \sim +85^{\circ}C$

ORDER INFORMATION:

A2009AWD-*-A1MA-B-D**

PART No. _____

No. OF CIRCUITS: _____ PACKAGING: _____
 202~220 R=Tray

PLASTIC MATERIAL: _____ PLATING: _____
 AIM=PA66 (Nature) A=Tin-Plated

Circuits	Dimensions (mm)			Circuits	Dimensions (mm)		
	A	B	C		A	B	C
203 (2X3)	4.00	6.90	8.00	212 (2X12)	22.00	24.90	26.00
204 (2X4)	6.00	8.90	10.00	213 (2X13)	24.00	26.90	28.00
205 (2X5)	8.00	10.90	12.00	214 (2X14)	26.00	28.90	30.00
206 (2X6)	10.00	12.90	14.00	215 (2X15)	28.00	30.90	32.00
207 (2X7)	12.00	14.90	16.00	216 (2X16)	30.00	32.90	34.00
208 (2X8)	14.00	16.90	18.00	217 (2X17)	32.00	34.90	36.00
209 (2X9)	16.00	18.90	20.00	218 (2X18)	34.00	36.90	38.00
210 (2X10)	18.00	20.90	22.00	219 (2X19)	36.00	38.90	40.00
211 (2X11)	20.00	22.90	24.00	220 (2X20)	38.00	40.90	42.60

专利产品

REV.	DATE	DESCRIPTION	APPD.	NO.	DESCRIPTION	QTY	MATERIAL	PLATING/COLOR	Tolerance	Model No. : 2.00mm PITCH 90 ° WAFER	Model Name: A2009AWD-***-A1MA-B-D	SCALE: FULL	REVISION: C/0
				③	Contacts	2~20	Brass	Tin-plated	X.X ±0.30	CNJST 捷仕泰企业	Drawn: 王程伟 2022.09.30	Checked: 吴丹平	Approved: 林旭芝
C/0	2022.09.30	统一标准, 更新图框	王程伟	②	Contacts	2~20	Brass	Tin-plated	X.XX ±0.20				
B/0	2020.11.02	NEW RELEASE		①	Insulator	1	PA66 (UL94V-0)	Nature	X.XXX ±0.10	UNIT: mm	⊕		
REV.	DATE	DESCRIPTION	APPD.	NO.	DESCRIPTION	QTY	MATERIAL	PLATING/COLOR	Angle ±3.0°				DWG NO. CNJST/GCCP-0527