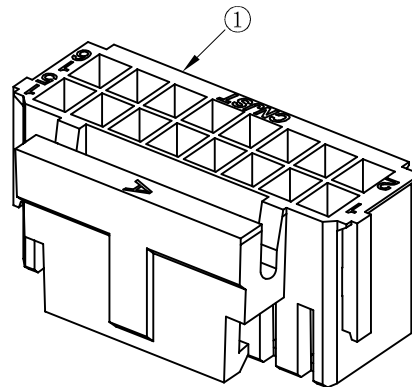
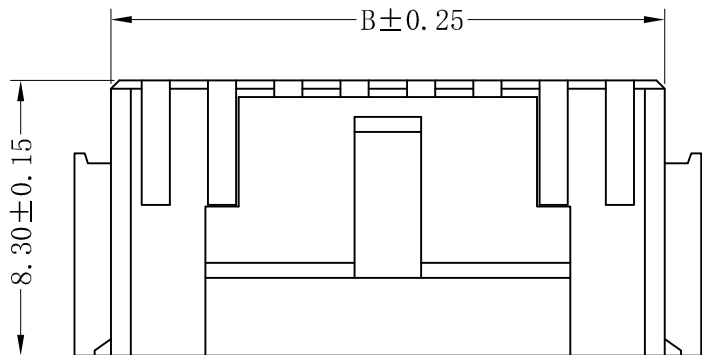


RoHS Compliant



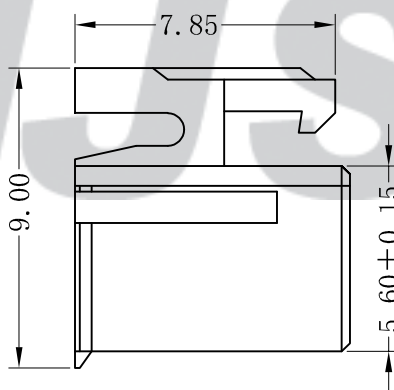
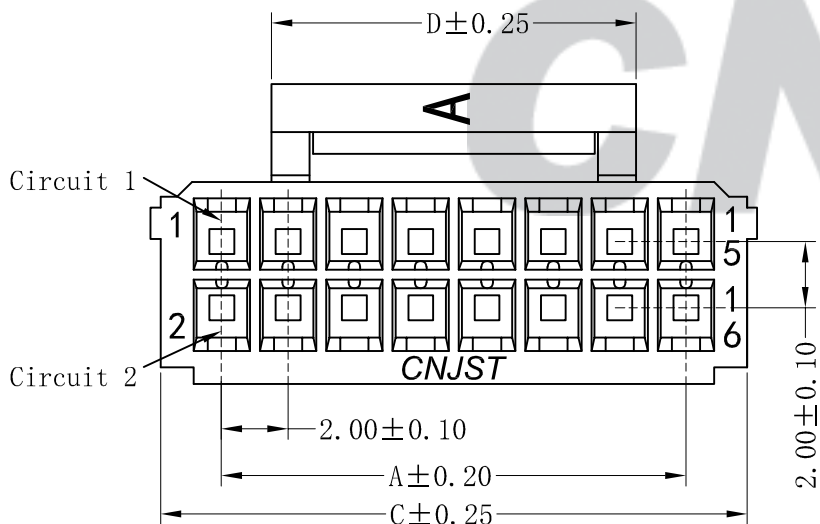
SPECIFICATION

- 1 Contact resistance:  $\leq 30m\Omega$
- 2 Insulation resistance:  $\geq 1000M\Omega$
- 3 Rated voltage: 250 V AC DC
- 4 Rated current: 3.0 A AC DC
- 5 Withstand Voltage: 1000V AC/minute
- 6 Temperature Range:  $-25^{\circ}C \sim +85^{\circ}C$

ORDER INFORMATION:

**A2009Y-\*\*\*-A6W-P**

PART No. \_\_\_\_\_ PACKAGING: P=PE  
 No. OF CIRCUITS: \_\_\_\_\_ PLASTIC MATERIAL: A6W=PA66 (WHITE)  
 2X4~2X20



Circuits	Dimensions (mm)			
	A	B	C	D
204 (2X4)	6.00	8.70	9.70	4.80
205 (2X5)	8.00	10.70	11.70	4.80
206 (2X6)	10.00	12.70	13.70	4.80
207 (2X7)	12.00	14.70	15.70	4.80
208 (2X8)	14.00	16.70	17.70	11.00
209 (2X9)	16.00	18.70	19.70	11.00
210 (2X10)	18.00	20.70	21.70	11.00
211 (2X11)	20.00	22.70	23.70	11.00
212 (2X12)	22.00	24.70	25.70	11.00
213 (2X13)	24.00	26.70	27.70	11.00
214 (2X14)	26.00	28.70	29.70	16.20
215 (2X15)	28.00	30.70	31.70	16.20
216 (2X16)	30.00	32.70	33.70	16.20
217 (2X17)	32.00	34.70	35.70	16.20
218 (2X18)	34.00	36.70	37.70	16.20
219 (2X19)	36.00	38.70	39.70	16.20
220 (2X20)	38.00	40.70	41.70	16.20

专利产品

Tolerance X.X ±0.30 X.XX ±0.20 X.XXX ±0.10 Angle ±3.0°	<b>CNJST 捷仕泰企业</b>		Drawn: 黄美程 2022.11.18
	Model No.: A2009Y-***-A6W-P		Checked: 吴丹平
	Model Name: 2.00mm pitch Housing		Approved: 林旭芝
	UNIT: mm		DWG NO.: CNJST/GCCP-0207

REV.	DATE	DESCRIPTION	APPD.	NO.	DESCRIPTION	QTY	MATERIAL	PLATING/COLOR
C/0	2022.11.18	统一标准 更新模版	黄美程					
B/0	2019.07.27	NEW RELEASE	徐广	①	Insulator	1	PA66 (UL94V-0)	White