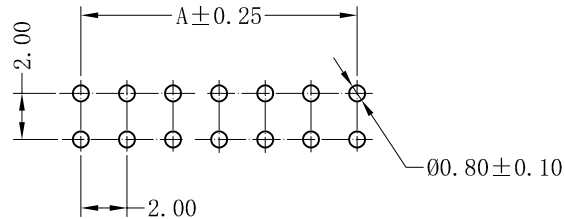
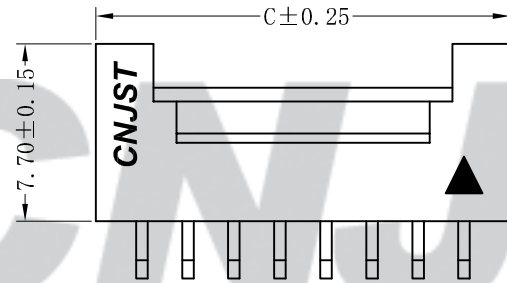
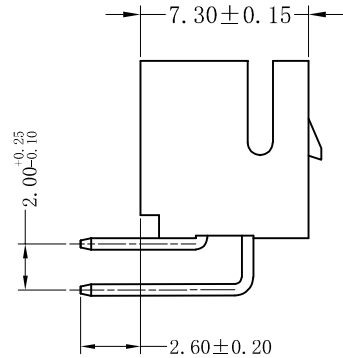
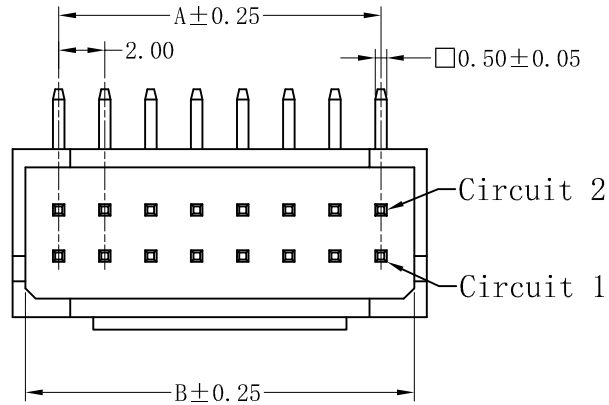
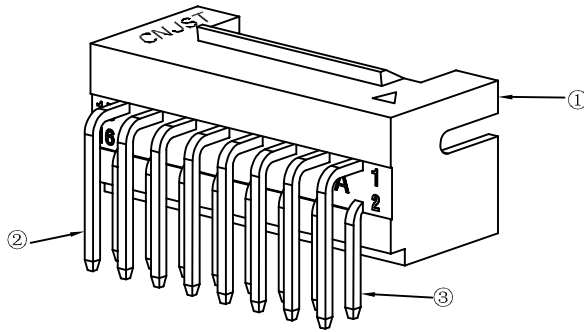


RoHS Compliant



SUGGESTED PCB LAYOUT
(COMPONENT SIDE)

SPECIFICATION

- 1 Contact resistance: $\leq 30m\Omega$
- 2 Insulation resistance: $\geq 1000M\Omega$
- 3 Rated voltage: 250 V AC DC
- 4 Rated current: 3.0 A AC DC
- 5 Withstand Voltage: 1000V AC/minute
- 6 Temperature Range: $-25^{\circ}C \sim +85^{\circ}C$

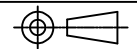
ORDER INFORMATION:

A2009AW-*-A1MA-B-D**
 PART No.
 No. OF CIRCUITS: PACKAGING:
 2X2~2X20 B=TRAY
 PLASTIC MATERIAL: PLATING:
 A1M=PA66 A=Tin-Plated

Circuits	Dimensions (mm)		
	A	B	C
202 (2X2)	2.00	4.90	6.00
203 (2X3)	4.00	6.90	8.00
204 (2X4)	6.00	8.90	10.00
205 (2X5)	8.00	10.90	12.00
206 (2X6)	10.00	12.90	14.00
207 (2X7)	12.00	14.90	16.00
208 (2X8)	14.00	16.90	18.00
209 (2X9)	16.00	18.90	20.00
210 (2X10)	18.00	20.90	22.00
211 (2X11)	20.00	22.90	24.00
212 (2X12)	22.00	24.90	26.00
213 (2X13)	24.00	26.90	28.00
214 (2X14)	26.00	28.90	30.00
215 (2X15)	28.00	30.90	32.00
216 (2X16)	30.00	32.90	34.00
217 (2X17)	32.00	34.90	36.00
218 (2X18)	34.00	36.90	38.00
219 (2X19)	36.00	38.90	40.00
220 (2X20)	38.00	40.90	42.00

专利产品

REV.	DATE	DESCRIPTION	APPD.	NO.	DESCRIPTION	QTY	MATERIAL	PLATING/COLOR
C/0	2022. 11. 18	统一标准 更新模版	黄美程	③	Contacts	2~20	Brass	Tin-plated
B/0	2017. 11. 10	NEW RELEASE	黄金林	②	Contacts	2~20	Brass	Tin-plated
				①	Insulator	1	PA66 (UL94V-0)	Nature

Tolerance X.X ±0.30 X.XX ±0.20 X.XXX ±0.10 Angle ±3.0° UNIT: mm	CNJST 捷仕泰企业		Drawn: 黄美程 2022. 11. 18
	Model No. : A2009AW-***-A1MA-B-D		Checked: 吴丹平
	Model Name: 2.00mm PITCH 90 ° WAFER		Approved: 林旭芝
		SCALE: FULL	REVISION: C/0
			DWG NO. : CNJST/GCCP-0206