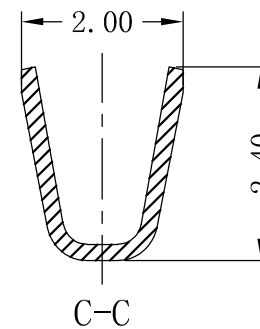
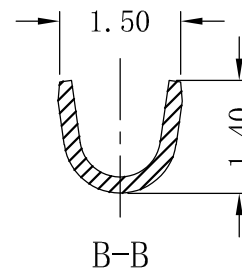
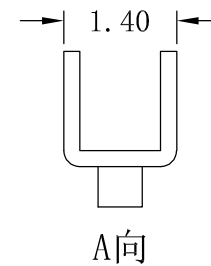
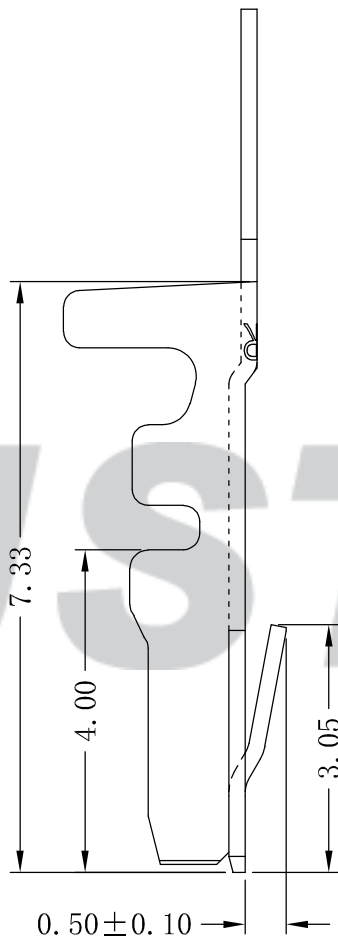
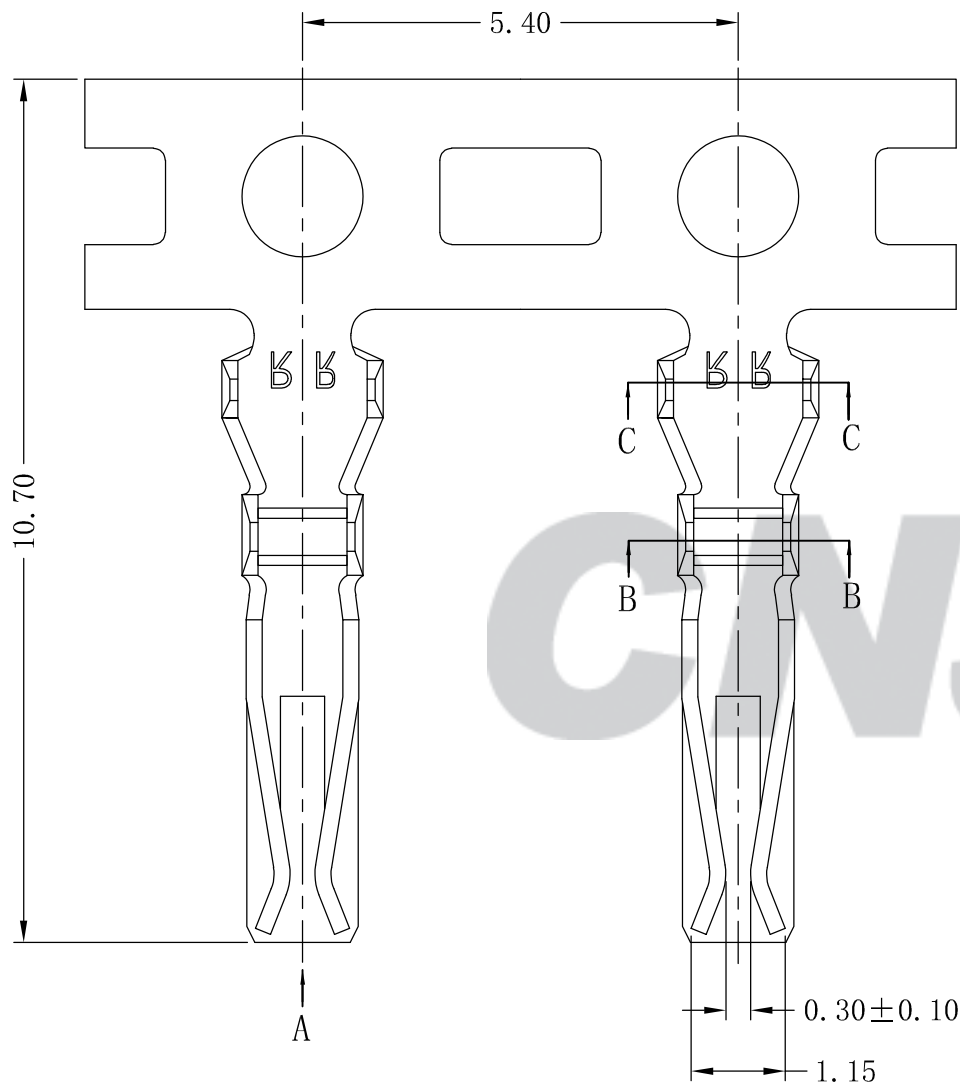


RoHS Compliant



Tolerance	
X.X	±0.30
X.XX	±0.20
X.XXX	±0.10
Angle	±3.0°

**CNJST** 捷仕泰企业

Drawn: 黄美程 2022.11.18

Model No.: A2009T-PA-Z

Checked: 吴丹平

Model Name: 2.00mm PITCH CRIMP TERMINAL

Approved: 林旭芝

UNIT: mm



SCALE: FULL

REVISION: C/0

DWG NO.: CNJST/GCDZ-0038

REV.	DATE	DESCRIPTION	APPD.	Wire Range	Insulation O.D.	QTY/Reel	Material	Plating
C/0	2022.11.18	更新模板	黄美程					
B/0	2019.04.15	NEW RELEASE	王程伟	AWG #22~#28	1.60mm(max)	12,000PCS	Phosphor Bronze	Tin-plated