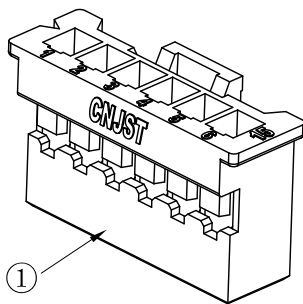
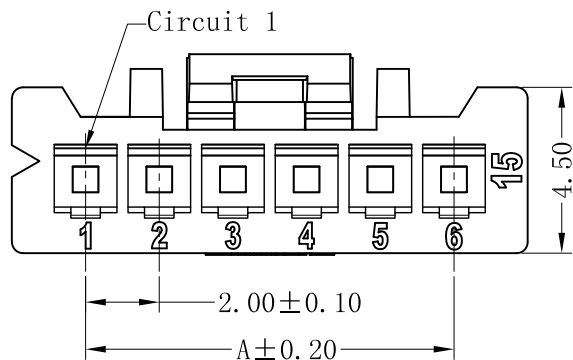


RoHS Compliant



Circuits	Dimensions (mm)		
	A	B	C
02	2.00	4.40	6.00
03	4.00	6.40	8.00
04	6.00	8.40	10.00
05	8.00	10.40	12.00
06	10.00	12.40	14.00
07	12.00	14.40	16.00
08	14.00	16.40	18.00
09	16.00	18.40	20.00
10	18.00	20.50	22.00
11	20.00	22.50	24.00
12	22.00	24.50	26.00
13	24.00	26.50	28.00
14	26.00	28.50	30.00
15	28.00	30.50	32.00

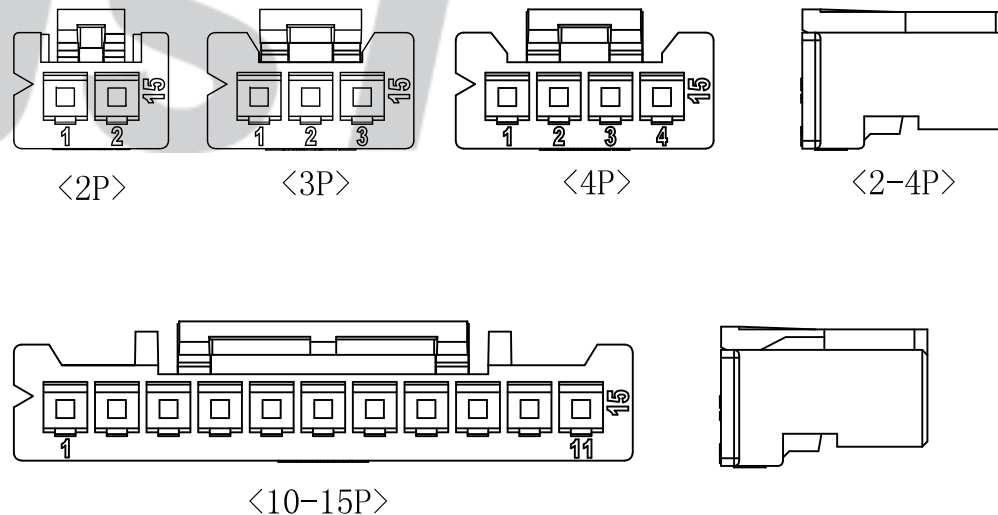
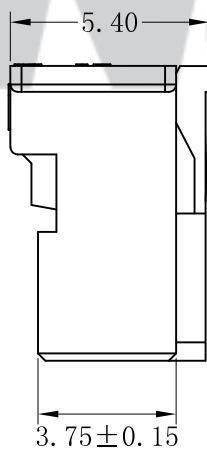
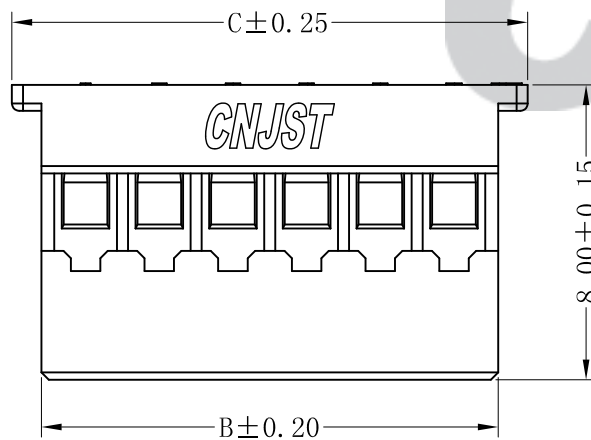
SPECIFICATION

- 1 Contact resistance: $\leq 10m\Omega$
- 2 Insulation resistance: $\geq 1000M\Omega$
- 3 Rated voltage: 250 V AC DC
- 4 Rated current: 3.0 A AC DC
- 5 Withstand Voltage: 800V AC/minute
- 6 Temperature Range: $-25^{\circ}C \sim +85^{\circ}C$

ORDER INFORMATION:

A2006Y--A6W-P**

PART No. _____	PACKAGING: _____
No. OF CIRCUITS: _____	P=PE
02~15	PLASTIC MATERIAL: _____
	A6W=PA66 (WHITE)



专利产品

Tolerance	X.X ±0.30	CNJST 捷仕泰企业	Drawn: 王程伟 2022.07.20
	X.XX ±0.20		Checked: 吴丹平
	X.XXX ±0.10	Model No.: A2006Y-**-A6W-P	Approved: 林旭芝
	Angle ±3.0°	Model Name: 2.00mm PITCH HOUSING	
UNIT: mm	⊕	SCALE: FULL	REVISION: C/0
			DWG NO. CNJST/GCCP-0173

REV.	DATE	DESCRIPTION	APPD.	NO.	DESCRIPTION	QTY	MATERIAL	PLATING/COLOR
C/0	2022.07.20	统一标准, 更新模板						
B/0	2020.10.20	NEW RELEASE		①	Insulator	1	PA66 (UL94V-0)	White